



## Low Voltage Installation Instructions & User Guide

### Say Hello To Brighter Nights!

Congratulations on your new Effuse Lighting! We're so glad you chose to work with us to brighten up your outdoor space. If you have any questions or need further help with installation, please contact your retailer.

### Please Note:

Do not cut any wires. Only use Effuse Lighting products in your lighting plan. It is the installer's responsibility to understand and adhere to local building codes and safety requirements, and to obtain all required building permits before installing. Effuse Lighting and your retailer are not liable for improper or unsafe installations of this product.

### Warranty Information

Your Effuse Lighting is covered by a lifetime limited warranty! Installing Effuse Lighting with wires, wire harnesses, transformers, or other appliances outside of the Effuse Lighting brand will void all warranties.

### Required Tools for Assembly

- Screwdriver or power drill
- Cable staples
- Silicone Adhesive (for post cap lights only)
- Pencil (for riser lights only)
- 7/8-Inch Forstner Bit (for riser lights only)

### Share Photos So We Can Celebrate With You!

We would love to see pictures of your finished project and celebrate your amazing new outdoor space with you! Tag **#EffuseLighting** on social media to share your best photos. We especially love to see before & after photos so we can celebrate the transformation!

### Check Out All The Compatible Products In The Effuse Lighting Family:

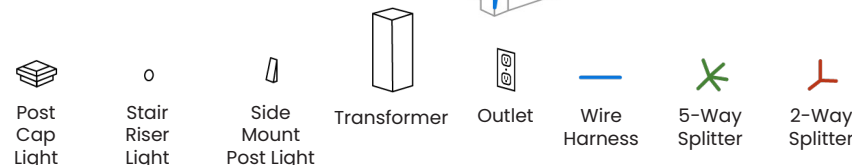
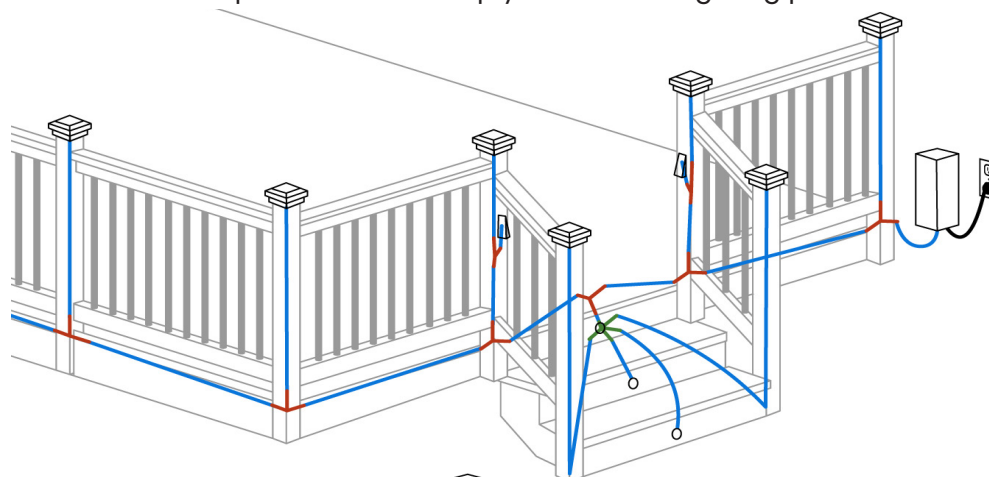
- Low Voltage Post Cap Lights
- Solar Post Cap Lights
- Low Voltage Side-Mount Post Lights
- Low Voltage Stair Riser Lights
- Wire Harnesses
- Splitters
- Transformers
- Remote Control



### Creating Your Lighting Plan

#### Sample Lighting Plan

Here's one example of how to set up your outdoor lighting plan:



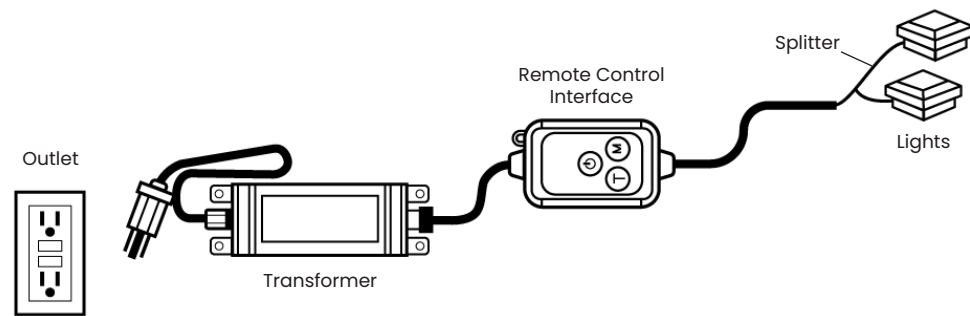
**Note:** Your components may not look exactly like what's pictured in diagrams, depending on your specific size and specs

### Transformer & Wiring

#### How To Wire:

Here's one example of how to set up your outdoor lighting plan:

- Step 1:** Plug your transformer into a standard 110-volt wall outlet. It will transform the electricity down to the safe 12-volt level that your outdoor lighting runs on.
- Step 2:** Plug the included remote control interface into the plug-and-play end of your transformer (two-prong wire terminal).
- Step 3:** Plug a wire harness into the plug-and-play end of the remote control interface (three-prong wire terminal).
- Step 4:** Use wire harnesses and splitters to connect all of your Effuse lights to your lighting circuit. All Effuse Lighting products are compatible with each other and use the same style of plug-and-play connectors.



**Notes:** Run wire harnesses under your deck frame, but don't run wires between joists and deck boards. If you use cable staples to hold wires in place, make sure the staples don't puncture or crush your wires.

**Notes (Continued):** You can run wiring inside of hollow metal posts or composite post sleeves. For solid wood posts, you can drill channels for the wires or run the wiring up the outside of your post and hide it behind decorative trim(not included).

#### Transformer Size:

Each light requires a certain wattage to power it. You'll need to make sure your transformer has enough watts to power all of your lights.

Add up the total wattage of all your lights and include an additional 10%. You'll need a transformer this size or larger than this to power all your lights:

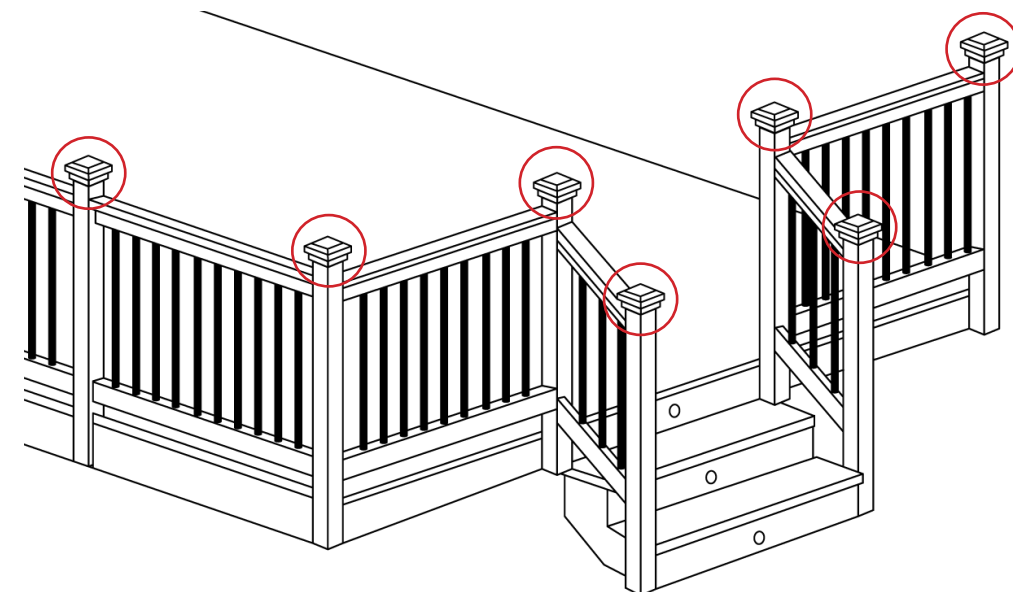
$$(\text{total wattage of light fixtures}) \times 1.1 = \text{required wattage of transformer}$$

#### Example based on diagram below:

$$7 \text{ post caps} \times 1 \text{ watt} = 7 \text{ watts. } 3 \text{ riser stair lights} \times 1.4 \text{ watts} = 4.2 \text{ watts. } 7 \text{ watts} + 4.2 \text{ watts} = 11.2 \text{ watts} \times 1.1 = 12.3 \text{ watts}$$

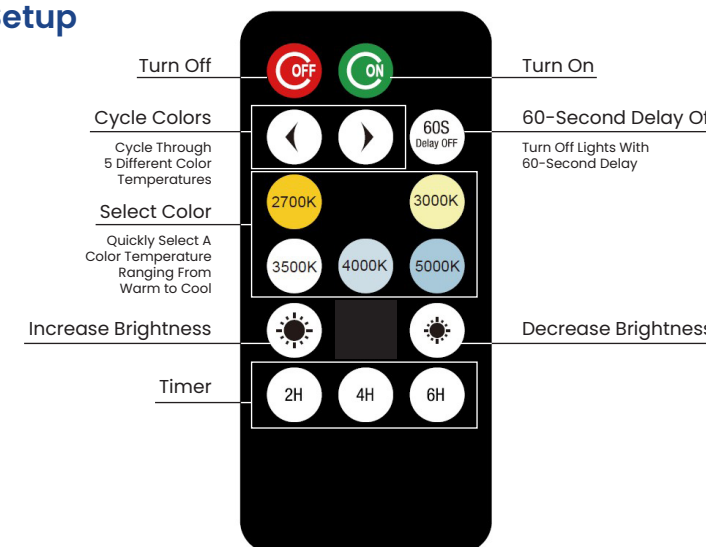
Use a transformer larger than 12.3 watts to power all of these lights.

If your transformer isn't big enough, split your lighting plan into separate zones with one transformer powering each zone.



### Remote Control Setup & Operation

The Effuse Lighting remote control is compatible with all Effuse Lighting low voltage and solar lights. Approximate range for operation is 35 feet.



## Changing The Color Of Your Lights

Effuse Lighting is 5CCT - that means each fixture can emit light at 5 different color temperatures to better match the other lights inside and outside of your home.

Cycle through the five color temperatures (2700K, 3000K, 3500K, 4000K, and 5000K) using your Remote Control.

### WARNING:

1. The remote control included utilizes a 3V CR2025 battery; only replace with the same battery type.
2. Remove and immediately recycle or dispose of used batteries according to local regulations, and keep away from children. Do NOT dispose of batteries in household trash or incinerate.
3. Even used batteries may cause severe injury or death.
4. The remote control contains a button battery. If swallowed, it could cause severe injury or death in just 2 hours. If you suspect your child has swallowed or inserted a button battery, immediately seek urgent medical assistance.
5. Non-rechargeable batteries are not to be recharged.
6. Do not force discharge, recharge, disassemble, heat above 140°F / 60°C or incinerate. Doing so may result in injury due to venting, leakage or explosion resulting in chemical burns.
7. Ensure the batteries are installed correctly according to polarity (+ and -).
8. Do not mix old and new batteries, different brands or types of batteries, such as alkaline, carbon-zinc, or rechargeable batteries.
9. Remove and immediately recycle or dispose of batteries from equipment not used for an extended period of time according to local regulations.
10. Always completely secure the battery compartment. If the battery compartment does not close securely, stop using the product, remove the batteries, and keep them away from children.

### WARNING:

- **INGESTION HAZARD:** This product contains a button cell or a coin battery
- **DEATH** or serious injury can occur if ingested
- A swallowed button cell or coin battery can cause **Internal Chemical Burns** in as little as **2 hours**
- **KEEP** new and used batteries **OUT OF REACH of CHILDREN**
- **Seek immediate medical attention** if a battery is suspected to be swallowed or inserted inside any part of the body.

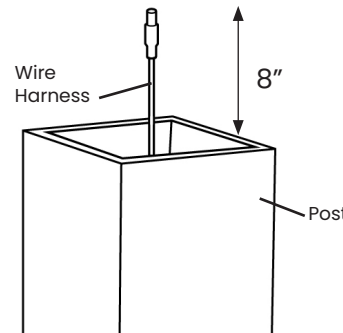


## Post Cap Lights

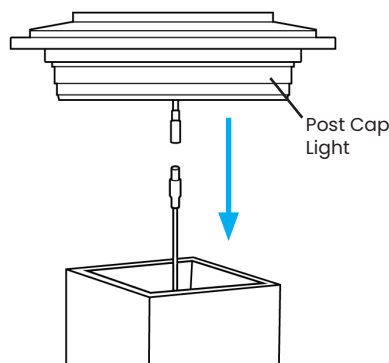
### How To Install:

**Step 1: Make sure the wire harness can extend at least 8 inches out the top of the post**

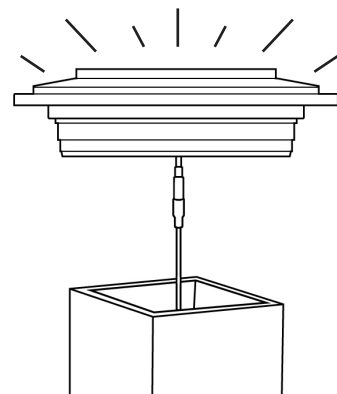
Leaving enough slack in the wiring ensures your plug-and-play connection won't get pulled loose.



**Step 2: Plug post cap into wire harness**



**Step 3: Test that your light turns on**



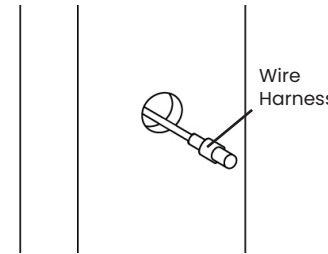
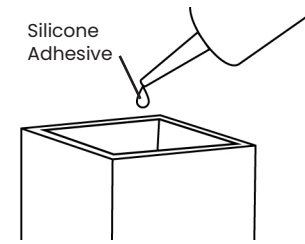
**Step 4: Use silicone adhesive and the included screw (if provided) to attach post cap to post**

## Side-Mount Post Lights

### How To Install:

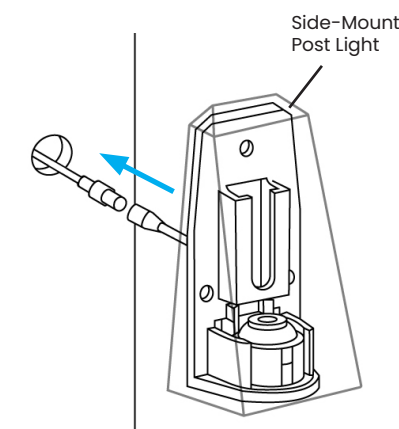
**Step 1: Drill 5/8-inch hole in post and run wire harness out**

If you have post sleeves over wood posts, you'll need to drill through the post sleeve and the wood post.

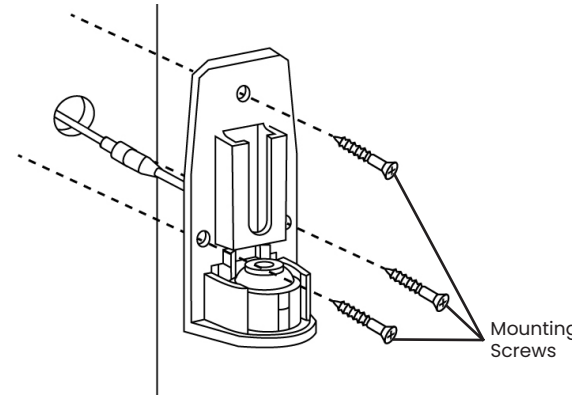


**Step 2: Plug wire harness into the inside of side-mount post light**

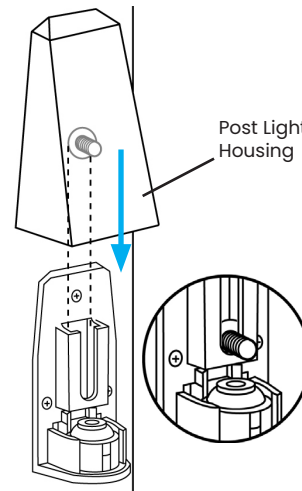
Detach the inside of the post light from the outside housing. Plug it in and test that your light turns on.



**Step 3: Use mounting screws to mount inside of light to post or post sleeve**



**Step 4: Slide post light housing onto inside of post light**

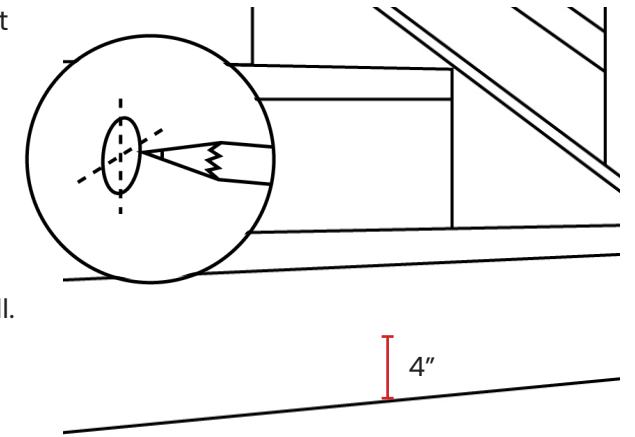


## Stair Riser Lights

### How To Install:

**Step 1: Mark light location on riser board**

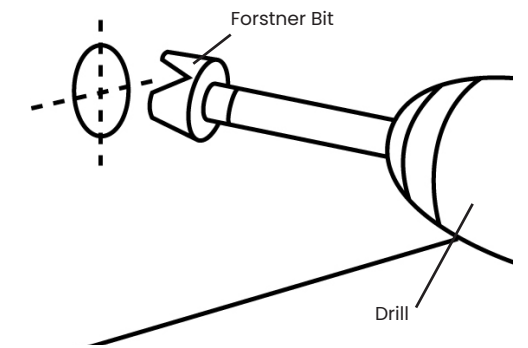
Typically, mounting your light about 4 inches above your stair tread will provide the best light.



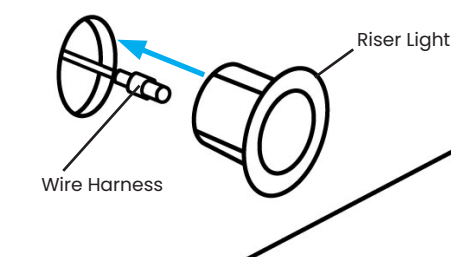
It's not ideal to install riser lights directly over a stair stringer board, but it's still doable. The holes will just take a little more effort to drill.

**Step 2: Drill a hole in riser board**

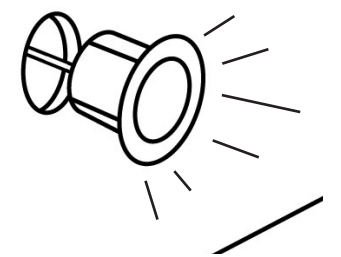
Use a 7/8-inch Forstner Bit to drill a hole at your marked location.



**Step 3: Plug riser light into wire harness**



**Step 4: Test that your light turns on**



**Step 5: Slide riser light into hole and tap gently into place**

