



### ATLANTIS RAIL Contact Information:

Atlantis Rail Systems

70 Armstrong Road  
Plymouth, MA 02360

3900 Civic Center Drive  
North Las Vegas, NV 89030

 (800) 541-6829 or  (508) 732-9191

 (508) 732-9798

 [www.atlantisrail.com](http://www.atlantisrail.com)

## Table of Contents

<b>Tools</b>	<b>1</b>
<b>Tips for a Successful Installation</b>	<b>1</b>
<b>Cable Stabilizer Safety Information &amp; Requirements</b>	<b>2</b>
<b>Cable Stabilizer Requirements &amp; Maximum Lengths</b>	<b>2</b>
<b>Cable Stabilizer Options</b>	<b>2</b>
<b>Preparation - Straight Run</b>	<b>4</b>
<b>Cable Stabilizer Installation - Straight Run</b>	<b>4</b>
<b>Preparation - Stair &amp; Ramp</b>	<b>10</b>
<b>Cable Stabilizer Installation - Stair &amp; Ramp</b>	<b>11</b>
<b>Cable Stabilizer Product Specifications</b>	<b>13</b>



Warning



Note



Hint

### Cable Stabilizer Installation Instructions

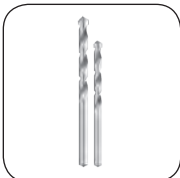
The Cable Stabilizer Kits and Stair Kit are designed specifically for use where post to post measurement spans over 4'. It enables you to adapt longer spans to code compliance by stabilizing the deflection of cable between posts. Each kit comes with a 42" stanchion pre-drilled to work with our standard 3" spacing. The Cable Stabilizer Kit cannot be used to replace the use of substantial mid posts and should never be used in spans over 6' - 7' depending on the railing system. Kits includes fasteners.

## Tools

### Required & Recommended



Power Drill



1/8" & 5/32"  
Drill Bits



#2 Phillips  
Driver Bit



Safety Glasses



Work Gloves



Chop Saw  
with Cutting Disk



Hammer



Chalk Line



Grinding Wheel  
(Hand Grinder)



Scotch-Brite™ Pad  
(Polishing Pad)



Half Round File



Pencil



Marker



Aluminum  
Cutting Blade  
(Non-Ferrous)



Center Punch

## Tips for a Successful Installation

- Read the instructions completely before beginning the installation.
- Check carton(s) to determine part count is complete.



**ALWAYS USE WORK GLOVES AND WEAR SAFETY GLASSES TO PROTECT YOUR HANDS AND EYES WHILE WORKING WITH POWER TOOLS.**

## Cable Stabilizer Safety Information & Requirements

Atlantis Rail Cable Stabilizers are purposed for use in maintaining code compliant cable spacing between post and rail sections with spacing greater than 4 feet between posts and not exceeding 7 feet.

Post and rail structure where a cable stabilizer is used should be rated and built to be structural without a cable stabilizer per building code requirements. Do not rely on the cable stabilizer to support the rail or add stability. The only function of the cable stabilizer is to maintain cable spacing. Building the railing to an appropriate code compliant structure is the sole responsibility of the user of Atlantis Rail products.



**THE CABLE STABILIZER IS NOT A STRUCTURAL COMPONENT AND IS NOT A SUBSTITUTE FOR A POST!**

## Cable Stabilizer Requirements & Maximum Lengths

**RailEasy Nautilus System:** The cable stabilizer may be used with sections up to 6 feet (between posts) if all other RailEasy Nautilus specifications are properly implemented.

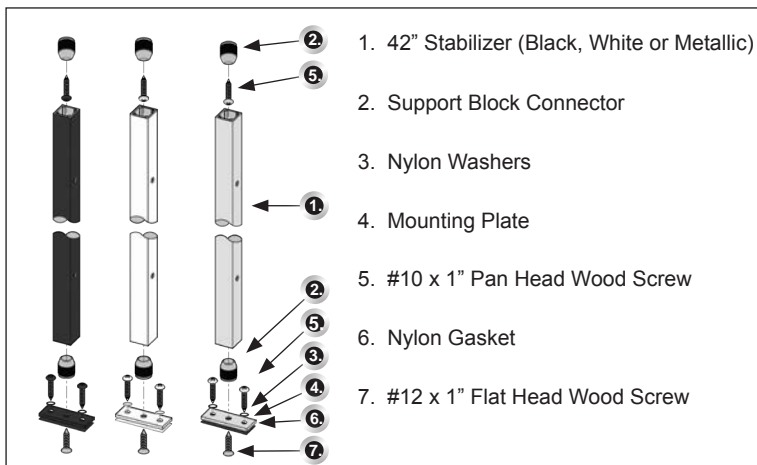
**SunRail™ Nautilus System:** The cable stabilizer may be used with sections up to 6 feet (between posts) if all other SunRail Nautilus specifications are properly implemented.

**Other Atlantis Rail Systems:** Consult the manufacturers' specifications for the length of rail that is considered structural. The cable stabilizer may be used with composite, metal, vinyl or structural wood frame systems up to the calculated code rated spacing of the system or a maximum of 7 feet, whichever is less.

## Cable Stabilizer Options

### Components

#### Aluminum Cable Stabilizer Kit (A0908 Series)



This cable stabilizer kit is designed specifically for use where post to post measurement spans over 4 feet. Each kit comes with a 42" stanchion, mounting hardware, 3" hole spacing and fasteners. Cut at both ends for an accurate fit. This kit cannot be used to replace the use of a substantial mid post and should never be used in spans over 7'. Cable grommets are required for installation (1/8" cable - C0916-A003-25 or 5/32" cable C0916-0004-25).

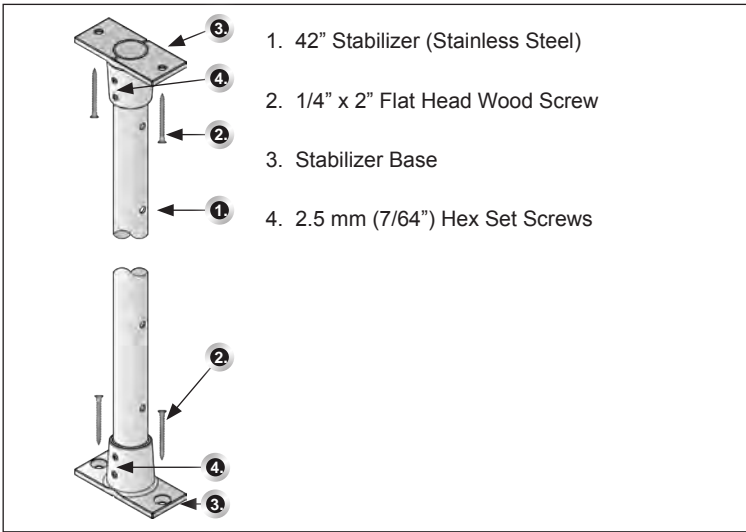


**DO NOT USE WITHIN 1 MILE OF SALT WATER.**



**ASSEMBLY IS REQUIRED.**

### Cable Stabilizer Kit (S0950-0060)



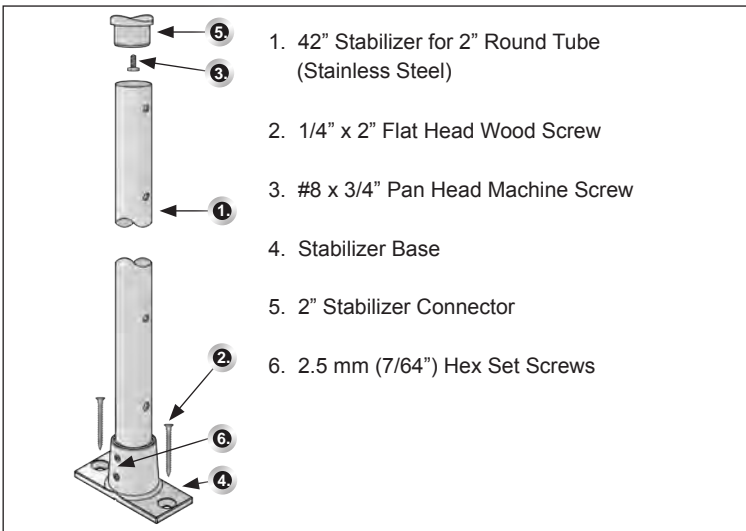
1. 42" Stabilizer (Stainless Steel)
2. 1/4" x 2" Flat Head Wood Screw
3. Stabilizer Base
4. 2.5 mm (7/64") Hex Set Screws

The Cable Stabilizer Kit is designed specifically for use where post to post measurement spans over 4'. It enables you to adapt longer spans to code compliance by stabilizing the deflection of cable between posts. Each kit comes with a 42" stanchion pre-drilled to work with our standard 3" spacing. In most cases, stanchions must be field cut at both ends for an accurate fit. The Cable Stabilizer Kit cannot be used to replace the use of substantial mid posts and should never be used in spans over 7'. Kit includes fasteners.



**CABLE STABILIZER COMES FULLY ASSEMBLED.**

### Cable Stabilizer Kit for 2" Round Tube (S0950-0061)



1. 42" Stabilizer for 2" Round Tube (Stainless Steel)
2. 1/4" x 2" Flat Head Wood Screw
3. #8 x 3/4" Pan Head Machine Screw
4. Stabilizer Base
5. 2" Stabilizer Connector
6. 2.5 mm (7/64") Hex Set Screws

The Cable Stabilizer Kit is designed specifically for use where post to post measurement spans over 4'. It enables you to adapt longer spans to code compliance by stabilizing the deflection of cable between posts. Each kit comes with a 42" stanchion pre-drilled to work with our standard 3" spacing. The stabilizer connector allows for a 2" round top rail to fit flush to the top of the stabilizer (requires drilling). In most cases, stanchions must be field cut at both ends for an accurate fit. The Cable Stabilizer Kit cannot be used to replace the use of substantial mid posts and should never be used in spans over 7'. Kit includes fasteners.



**CABLE STABILIZER COMES FULLY ASSEMBLED.**

### Cable Stabilizer Stair Kit (S0950-S060)



1. 42" Stair Stabilizer (Stainless Steel)
2. 1/4" x 2" Flathead Wood Screw
3. Stabilizer Base
4. Stair Stabilizer Adjustable Base
5. 2.5 mm (7/64") Hex Set Screws

The Cable Stabilizer Stair Kit is designed specifically for stairs where post to post measurement spans over 4'. It enables you to adapt longer spans to code compliance by stabilizing the deflection of cable between posts. Each kit comes with a 42" stanchion pre-drilled to work with our standard 3" spacing. In most cases, stanchions must be field cut at both ends for an accurate fit. The Cable Stabilizer Stair Kit cannot be used to replace the use of substantial mid posts and should never be used in spans over 7'. Kit includes fasteners.



**CABLE STABILIZER COMES FULLY ASSEMBLED.**

## Preparation - Straight Run

The Cable Stabilizer Kits are purposed for use in maintaining code compliant cable spacing between post and rail sections with spacing greater than 4 feet between posts and not exceeding 7 feet.



**ALWAYS REFER TO YOUR LOCAL BUILDING CODE OFFICIALS PRIOR TO INSTALLING ANY ATLANTIS RAIL SYSTEM TO ENSURE ALL CODE AND SAFETY REQUIREMENTS ARE MET. ATLANTIS RAIL SYSTEMS IS NOT RESPONSIBLE FOR IMPROPER OR NON-RECOMMENDED INSTALLATIONS.**

With a tape measure calculate the horizontal distance between posts and divide the distance by two (See Figure A). This is the center position where the cable stabilizer will be mounted. Measure from the underside of the top rail to the center of the first cable run beneath that top rail (See Figure B). Measure the length from the underside of the top rail to the mounting surface (See Figure C).

Refer to the quick reference guide below for cable stabilizer placement specifications.

### Quick Reference Guide

System	Sections (up to)	Center Position
RailEasy	6'	3'
Nautilus		
SunRail	6'	3'
Nautilus		
Other*	7'	3.5'

\* Consult the manufacturers' specifications for the length of rail that is considered structural.

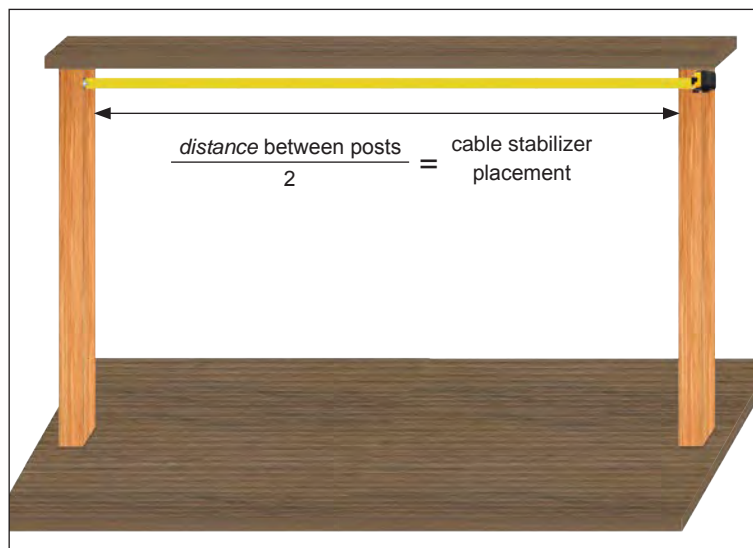


Figure A. Calculate horizontal distance between posts and divide by two.

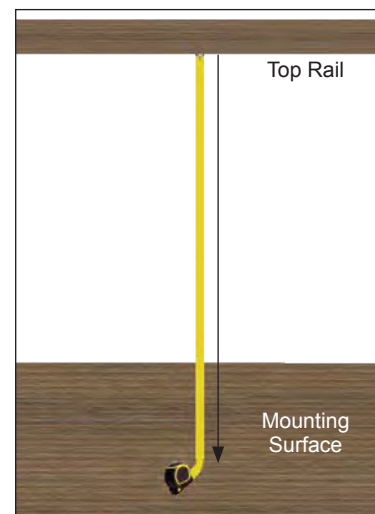
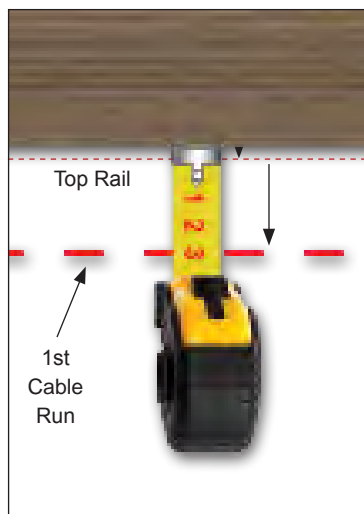


Figure B. (LEFT) Measure from the underside of the top rail to the center of the first cable run beneath that top rail.

Figure C. (RIGHT) Measure the length from the underside of the top rail to the mounting surface.

## Cable Stabilizer Installation - Straight Run

### Aluminum Cable Stabilizer Kit (A0908 Series)

The Aluminum Cable Stabilizer Kit comes with a 42" length stanchion, mounting hardware, 3" hole spacing (standard) and fasteners. Cable grommets are sold separately and required for installation. Available in black and white finishes.

Using the measurement from Figure B, measure from the center of an outer hole toward the end of the stabilizer (See Figure D) and mark.

#### For Example:

Height of 1st cable run is 3" from the underside of the handrail, stanchion is 42" in length and the total height of the stabilizer is 35".

$$42" - 35\text{-}1/2" = 6\text{-}1/2" - 3" = 3\text{-}1/2" \text{ (Total Excess Material)}$$

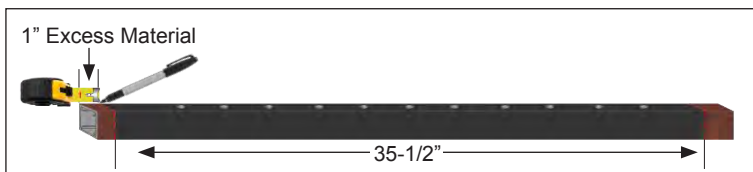


Figure D. (TOP) Using the measurement from Figure B, measure from the center of an outer hole toward the end of the stabilizer and mark.

Figure E. (BOTTOM) Using the measurement from Figure C, measure from the first measurement and mark.



Using the measurement from Figure C, measure from the first measurement (See Figure E) and mark.

Remove an additional 3/16" for allowance for the base plate.

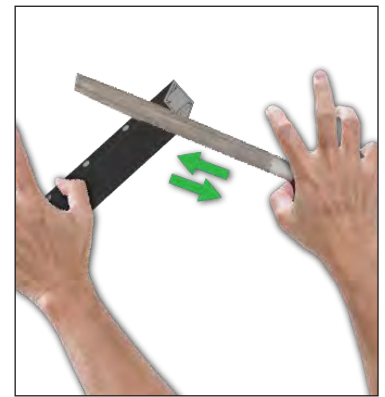
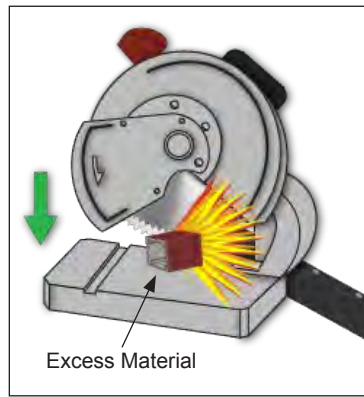


**TO REDUCE ERRORS MEASURE TWICE, MARK ONCE AND CUT ONCE.**

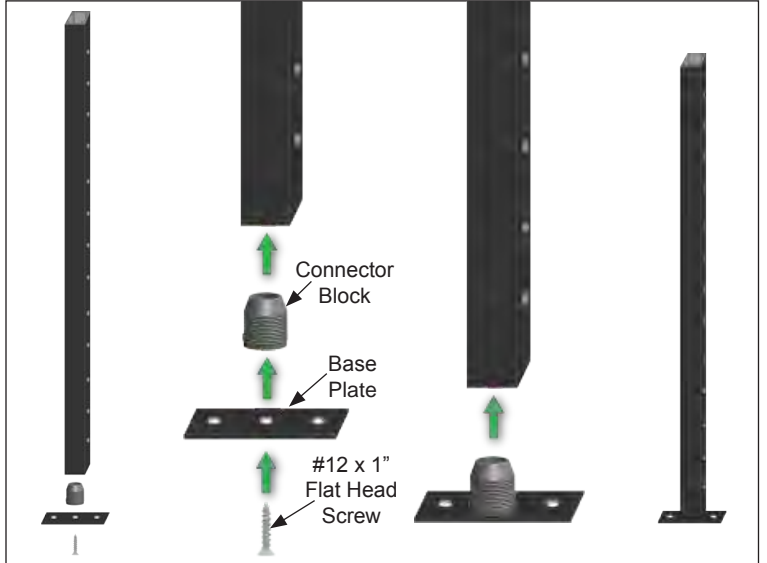
Using a chop saw equipped with a cutting blade (non-ferrous materials) cut off the excess material from the stanchion (See Figure F).

Using a half round file (See Figure G) remove any burring or sharp points from where the stanchion was cut.

Assemble the Aluminum Stabilizer Kit by attaching the base plate to the connector block with a #12 x 1" flat head wood screw. Push this assembly into the bottom of the stanchion (See Figure H).

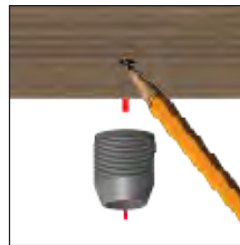


**Figure F. (LEFT)** Cut off the excess material from the stanchion where marked.  
**Figure G. (RIGHT)** Remove any burring or sharp points from where the stanchion was cut.



**Figure H.** Assemble the Aluminum Stabilizer Kit by attaching the base plate to the connector block.

Mark with a pencil the center position on the underside of the handrail (See Figure I). With a 5/32" drill bit (See Figure J), drill a pilot hole at the pencil mark. Using a #2 driver bit and a #10 x 1" pan head wood screw attach the connector block (See Figure K) to the underside of the handrail at the marked center position.

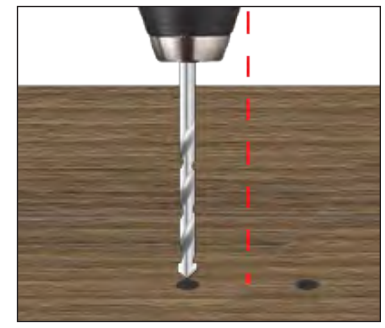
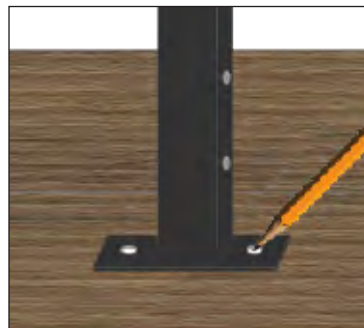


**Figure I. (LEFT)** Mark with a pencil the center position.

**Figure J. (CENTER)** Drill a pilot hole.

**Figure K. (RIGHT)** Attach the connector block to the underside of the handrail with a #10 x 1" pan head wood screw.

Place the Aluminum Stabilizer assembly at the center position of the mounting surface and mark the screw holes with a pencil (See Figure L). Put aside the stabilizer assembly. With a 5/32" drill bit, drill pilot holes at the pencil marks (See Figure M).



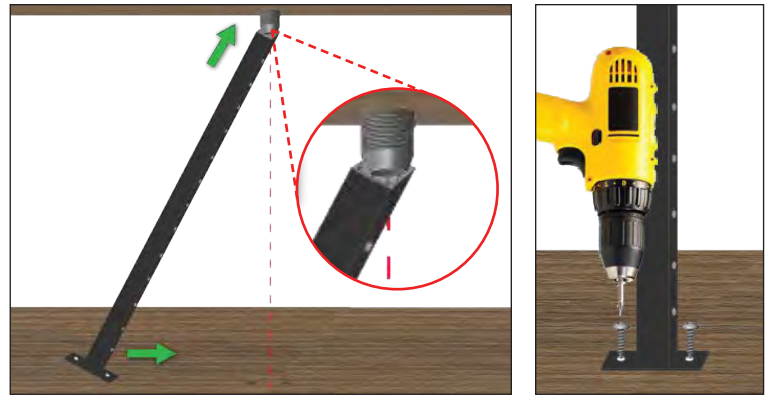
**Figure L. (LEFT)** Mark screw holes with a pencil.

**Figure M. (RIGHT)** Drill pilot holes at the pencil marks.

Place the top of the stabilizer assembly into the connector block that is mounted into the bottom of the handrail and position the bottom of the stabilizer assembly so it lines up with the two drilled pilot holes (See Figure N). Using a #2 Phillips driver bit and (2) two #10 x 1" pan head wood screws install the stabilizer assembly (See Figure O).



**DO NOT INSTALL CABLE BEFORE STABILIZER POSTS.**



**Figure N. (LEFT)** Place the top of the stabilizer assembly into the connector block located in the handrail and position the bottom so it lines up with the two drilled pilot holes.

**Figure O. (RIGHT)** Attach the stabilizer to the mounting surface with (2) two #10 x 1" pan head wood screws.

### Cable Stabilizer Kit (S0950-0060)

The stainless steel Cable Stabilizer Kit comes fully assembled with a 42" stanchion, mounting hardware, 3" hole spacing (standard) and fasteners. Cable grommets are sold separately and optional for installation. Available in a polished finish.

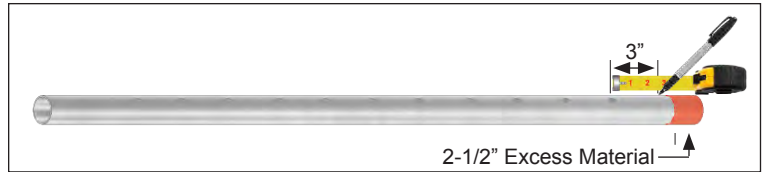
Using the measurement from Figure B, measure from the center of an outer hole toward the end of the stabilizer (See Figure P) and mark.

#### For Example:

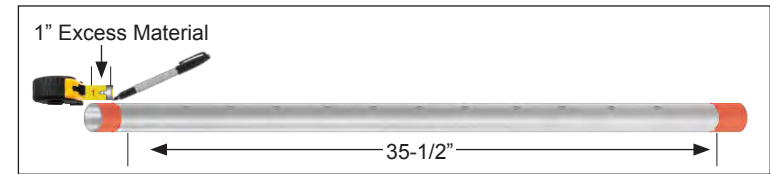
Height of 1st cable run is 3" from the underside of the handrail, stanchion is 42" in length and the total height of the stabilizer is 35".

$$42" - 35-1/2" = 6-1/2" - 3" = 3-1/2" \text{ (Total Excess Material)}$$

Remove both upper and lower stabilizer bases from the stanchion by loosening the hex set screws with a 2.5 mm (7/64) Allen wrench. Using the measurement from Figure C, measure from the first measurement (See Figure Q) and mark.



**Figure P.** Using the measurement from Figure B, measure from the center of an outer hole toward the end of the stabilizer and mark.



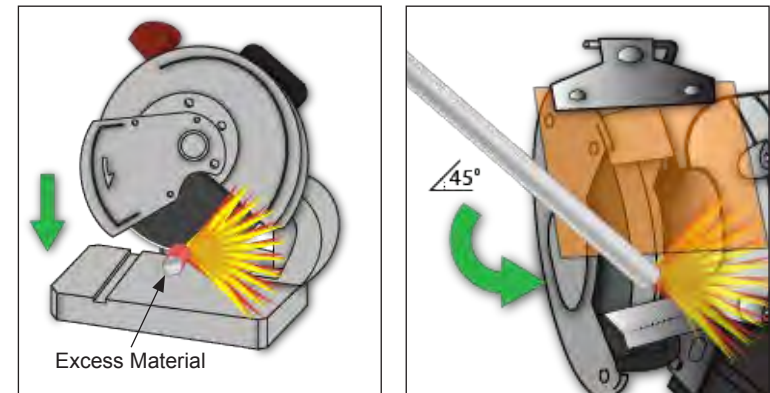
**Figure Q.** Using the measurement from from Figure C, measure from the first measurement and mark.



**TO REDUCE ERRORS MEASURE TWICE, MARK ONCE AND CUT ONCE.**

Using a chop saw equipped with a cutting disc cut off the excess material from the stanchion (See Figure R). When cutting, let the saw get up to full speed. Bring it down with even and consistent pressure. During the cutting, it is possible to have an assistant spray water on the area being cut to reduce the discoloration. Follow through the cut with even pressure, making sure the disk goes through the tube at the end of the cut.

Using a disc grinder (See Figure S) remove any burring or sharp points from where the stanchion was cut. Hold the tube to a 45° angle to the grinding surface and rotate the tube to evenly de-burr the edge. The inside burr can be removed with a coarse half round file. Holding the tube firmly on a flat surface, use a half round file to de-burr the inside edge of the tube.

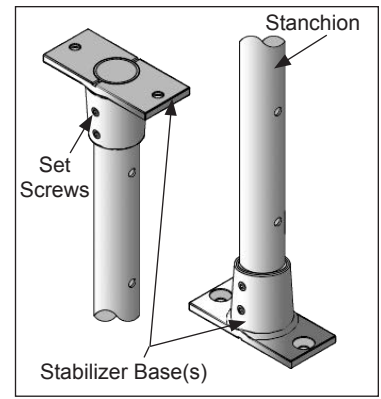
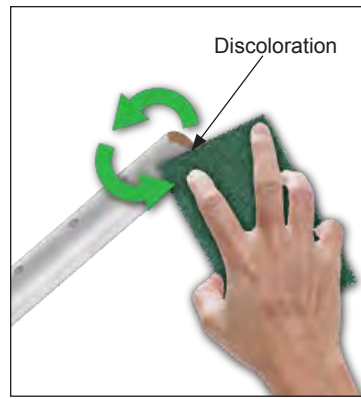


**Figure R. (LEFT)** Cut off the excess material from the stanchion where marked.

**Figure S. (RIGHT)** Remove any burring or sharp points from where the stanchion was cut with a disc grinder.

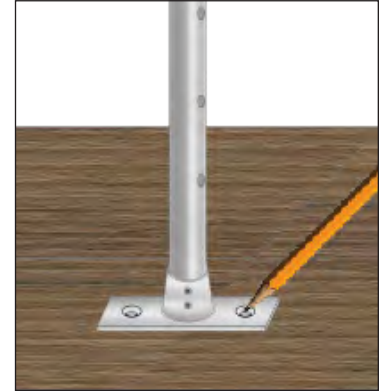
If the surface discoloration needs to be removed, a Scotch-Brite Pad (See *Figure T*) can take it away, however it can also scratch a polished surface. A polishing/buffing pad and rouge compound would remove the discoloration also.

Assemble the Cable Stabilizer Kit by re-attaching both the upper and lower stabilizer bases to the stanchion by tightening the hex set screws with a 2.5 mm (7/64) Allen wrench (See *Figure U*).



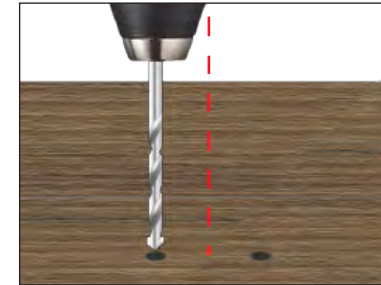
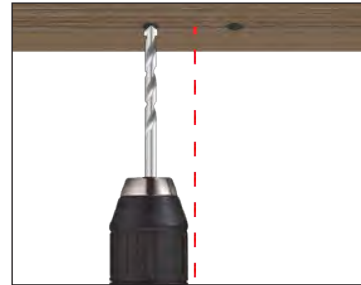
**Figure T. (LEFT)** Remove any surface discoloration with a Scotch-Brite Pad.  
**Figure U. (RIGHT)** Assemble the Cable Stabilizer Kit by re-attaching both the upper and lower stabilizer bases to the stanchion.

Place the Cable Stabilizer assembly at the center position of the mounting surface and mark the screw holes in the upper (underside of railing) and lower (mounting surface) stabilizer base with a pencil (See *Figures V and W*).



**Figure V. (LEFT)** Mark screw holes in the upper stabilizer base with a pencil.  
**Figure W. (RIGHT)** Mark screw holes in the lower stabilizer base with a pencil.

Put aside the stabilizer assembly. With a 5/32" drill bit, drill pilot holes at the pencil marks (See *Figures X and Y*).



**Figure X. (LEFT)** Drill pilot holes at the pencil marks in the bottom side of the handrail.  
**Figure Y. (RIGHT)** Drill pilot holes at the pencil marks in the mounting surface.

Reposition the cable stabilizer between the bottom of the handrail and the mounting surface; while aligning to the pilot holes. Using a #2 driver bit and (4) four 1/4" x 2" Flat Head wood screws install the stabilizer assembly (See *Figures Z and AA*).



**DO NOT INSTALL CABLE BEFORE STABILIZER POSTS.**



**Figure Z. (LEFT)** Attach the top of the stabilizer to the underside of the top rail with (2) two 1/4 x 2" flat head wood screws.  
**Figure AA. (RIGHT)** Attach the bottom of the stabilizer to the mounting surface with (2) two 1/4 x 2" flat head wood screws.



## Cable Stabilizer Kit for 2" Round Tube (S0950-0061)

The stainless steel Cable Stabilizer Kit comes fully assembled with a 42" stanchion, mounting hardware, 3" hole spacing (standard) and fasteners. Cable grommets are sold separately and optional for installation. Available in a polished finish.

Using the measurement from Figure B, measure from the center of an outer hole toward the end of the stabilizer (See Figure AB) and mark.

### For Example:

Height of 1st cable run is 3" from the underside of the handrail, stanchion is 42" in length and the total height of the stabilizer is 35".

$$42" - 35\text{-}1/2" = 6\text{-}1/2" - 3" = 3\text{-}1/2" \text{ (Total Excess Material)}$$

Remove the 2" stabilizer connector and lower stabilizer base from the stanchion by loosening the hex set screws with a 2.5 mm (7/64) Allen wrench. Using the measurement from Figure C, measure from the first measurement (See Figure AC) and mark.



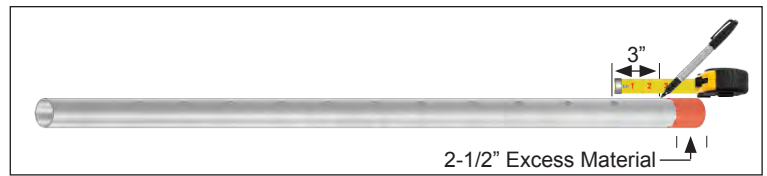
**TO REDUCE ERRORS MEASURE TWICE, MARK ONCE AND CUT ONCE.**

Using a chop saw equipped with a cutting disc cut off the excess material from the stanchion (See Figure AD). When cutting, let the saw get up to full speed. Bring it down with even and consistent pressure. During the cutting, it is possible to have an assistant spray water on the area being cut to reduce the discoloration. Follow through the cut with even pressure, making sure the disk goes through the tube at the end of the cut.

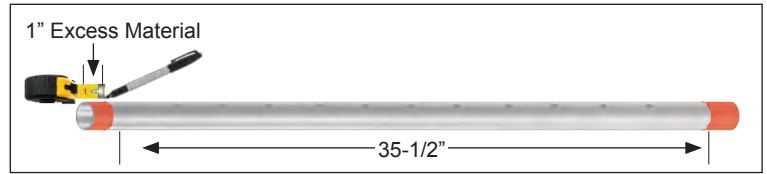
Using a disc grinder (See Figure AE) remove any burring or sharp points from where the stanchion was cut. Hold the tube to a 45° angle to the grinding surface and rotate the tube to evenly de-burr the edge. The inside burr can be removed with a coarse half round file. Holding the tube firmly on a flat surface, use a half round file to de-burr the inside edge of the tube.

If the surface discoloration needs to be removed, a Scotch-Brite Pad (See Figure AF) can take it away, however it can also scratch a polished surface. A polishing/buffing pad and rouge compound would remove the discoloration also.

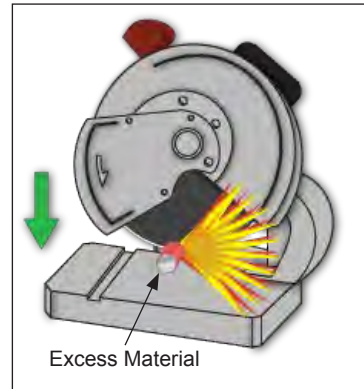
Assemble the Cable Stabilizer Kit by re-attaching the lower stabilizer base to the stanchion by tightening the hex set screws with a 2.5 mm (7/64) Allen wrench (See Figure AG).



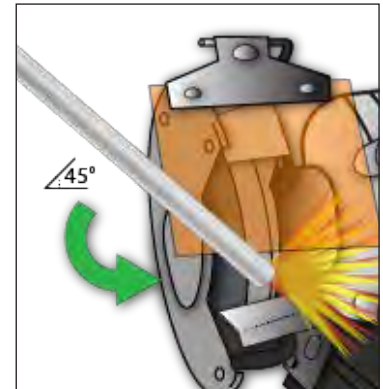
**Figure AB.** Using the measurement from Figure B, measure from the center of an outer hole toward the end of the stabilizer and mark.



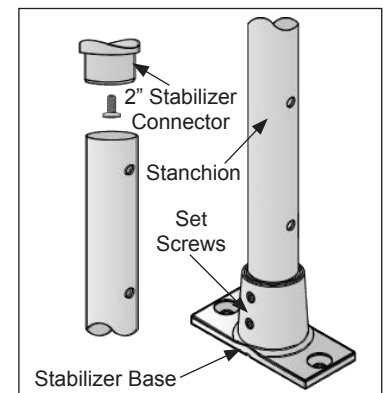
**Figure AC.** Using the measurement from Figure C, measure from the first measurement and mark.



**Figure AD. (LEFT)** Cut off the excess material from the stanchion where marked.



**Figure AE. (RIGHT)** Remove any burring or sharp points from where the stanchion was cut with a disc grinder.

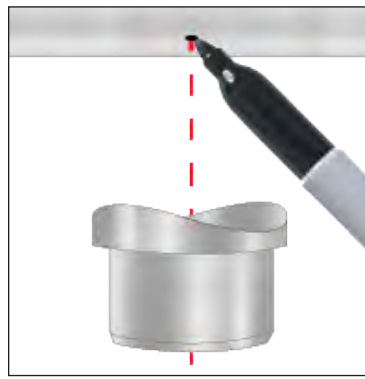


**Figure AF. (LEFT)** Remove any surface discoloration with a Scotch-Brite Pad.

**Figure AG. (RIGHT)** Assemble the Cable Stabilizer Kit by re-attaching the lower stabilizer base to the stanchion.



Mark with a marker the center position on the underside of the handrail (See *Figure AH*). With a hole punch (See *Figure AI*), and hammer make a dimple into the underside of the handrail.



**Figure AH. (LEFT)** Mark with a marker the center position.

**Figure AI. (RIGHT)** With a center punch make a dimple in the handrail.

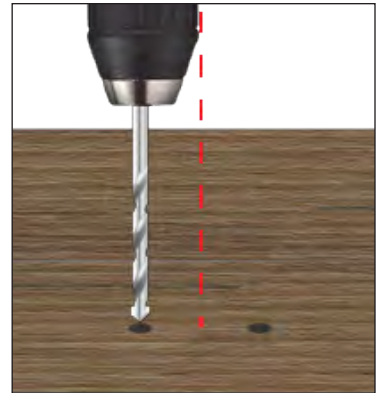
With a 1/8" drill bit, drill a pilot hole at the dimple mark in the underside of the handrail (See *Figure AJ*). Using a #2 driver bit and a #8 x 3/4" pan head machine screw attach the 2" Stabilizer Connector (See *Figure AK*) to the underside of the handrail at the marked center position.



**Figure AJ. (LEFT)** Mark with a marker the center position.

**Figure AK. (RIGHT)** Attach the 2" Stabilizer Connector to the underside of the handrail with a #8 x 3/4" pan head machine screw.

Place the Cable Stabilizer assembly at the center position of the mounting surface and mark the screw holes in the lower (mounting surface) stabilizer base with a pencil (See *Figure AL*). Put aside the stabilizer assembly. With a 5/32" drill bit, drill pilot holes at the pencil marks (See *Figure AM*).



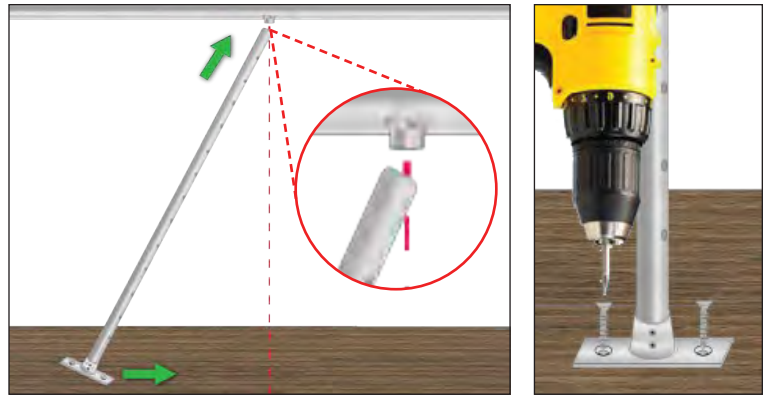
**Figure AL. (LEFT)** Mark screw holes in the lower stabilizer base with a pencil.

**Figure AM. (RIGHT)** Drill pilot holes at the pencil marks in the mounting surface.

Place the top of the stabilizer assembly into the 2" Stabilizer Connector previously installed in the handrail and position the bottom of the stabilizer so it lines up with the two drilled pilot holes (See Figure AN). Using a #2 driver bit and (4) four 1/4" x 2" Flat Head wood screws install the stabilizer assembly (See Figure AO).



**DO NOT INSTALL CABLE BEFORE STABILIZER POSTS.**



**Figure AN. (LEFT)** Place the top of the stabilizer assembly into the 2" Stabilizer Connector previously installed in the handrail and position the bottom of the stabilizer so it lines up with the two drilled pilot holes.

**Figure AO. (RIGHT)** Attach the bottom of the stabilizer to the mounting surface with (2) two 1/4 x 2" flat head wood screws.

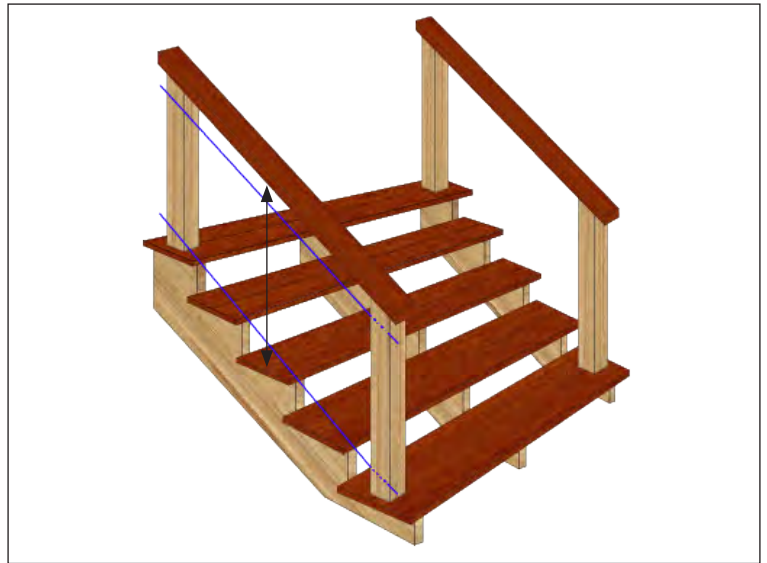
## Preparation - Stair & Ramp

The Cable Stabilizer Stair Kit is purposed for use in maintaining code compliant cable spacing between post and rail sections with spacing greater than 4 feet between posts and not exceeding 7 feet.



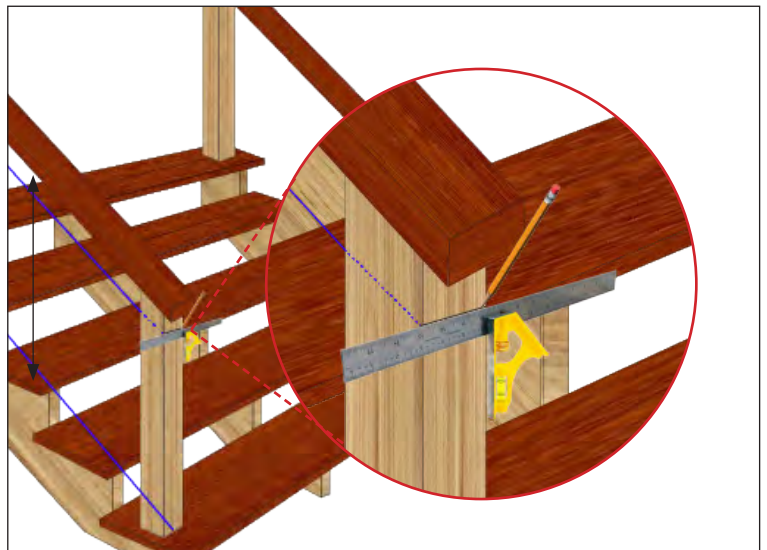
**ALWAYS REFER TO YOUR LOCAL BUILDING CODE OFFICIALS PRIOR TO INSTALLING ANY ATLANTIS RAIL SYSTEM TO ENSURE ALL CODE AND SAFETY REQUIREMENTS ARE MET. ATLANTIS RAIL SYSTEMS IS NOT RESPONSIBLE FOR IMPROPER OR NON-RECOMMENDED INSTALLATIONS.**

Find the center of your posts and draw a vertical line. Snap a chalk line parallel to the slope of the stairs at the height of your lowest cable run. Measure for your other cables 3" on center perpendicular to that line (See Figure AP). Snap a chalk line for each cable run.



**Figure AP.** Find the center of your posts and draw a vertical line.

Using a carpenter's square, transfer a line to the inside post face to find the center of your cable (See Figure AQ). Where this line intersects the vertical line is the center point for your cable.



**Figure AQ.** Using a carpenter's square, transfer a line to the inside post face to find the center of your cable.

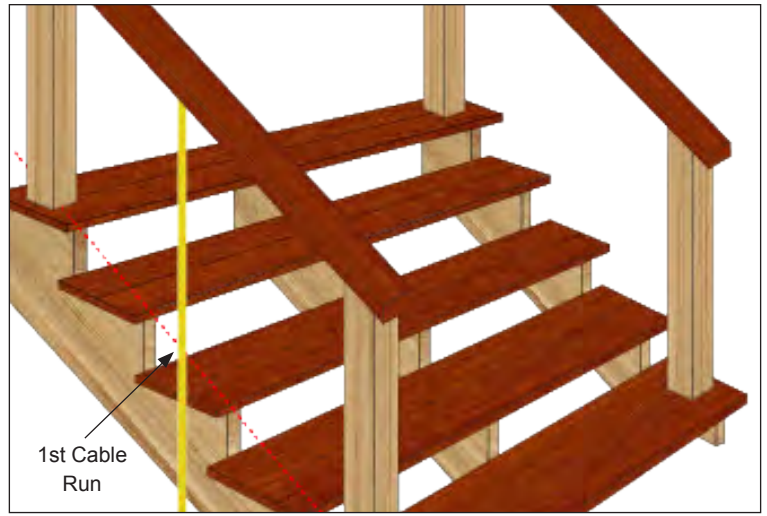
Calculate the vertical distance from under the handrail to the first cable run (See Figure AR). This measurement will provide the correct alignment of the drill holes in the stanchion to the cable runs and the total amount of excess material that will be cut from the stanchion.

Refer to the quick reference guide below for cable stabilizer placement specifications.

### Quick Reference Guide

System	Sections (up to)	Center Position
RailEasy Nautilus	6'	3'
SunRail Nautilus	6'	3'
Other*	7'	3.5'

\* Consult the manufacturers' specifications for the length of rail that is considered structural.



**Figure AR.** Calculate vertical distance from the underside of handrail to center of first cable run.

## Cable Stabilizer Installation - Stair & Ramp

### Cable Stabilizer Stair Kit (S0950-S060)

The stainless steel Cable Stabilizer Stair Kit comes fully assembled with a 42" stanchion, mounting hardware, 3" hole (slotted) spacing (standard) and fasteners. Cable grommets are sold separately and optional for installation. Available in a polished finish.

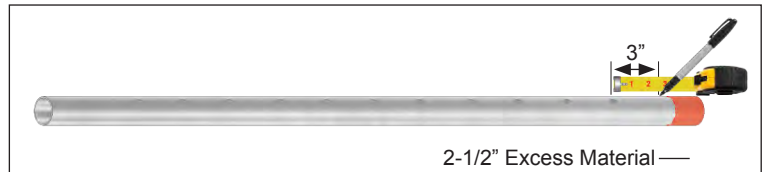
Using the measurement from Figure B, measure from the center of an outer hole toward the end of the stabilizer (See Figure AS) and mark.

#### For Example:

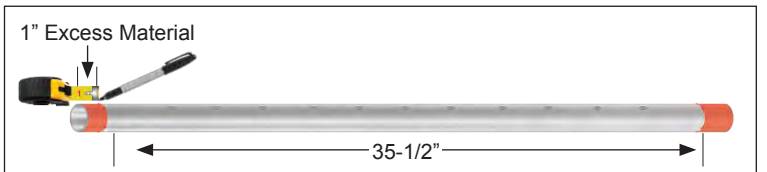
Height of 1st cable run is 3" from the underside of the handrail, stanchion is 42" in length and the total height of the stabilizer is 35".

$$42" - 35\text{-}1/2" = 6\text{-}1/2" - 3" = \mathbf{3\text{-}1/2"} \text{ (Total Excess Material)}$$

Remove both the stair stabilizer adjustable base and the stabilizer base from the stanchion by loosening the hex set screws with a 2.5 mm (7/64) Allen wrench. Using the measurement from Figure C, measure from the first measurement (See Figure AT) and mark.



**Figure AS** Using the measurement from Figure B, measure from the center of an outer hole toward the end of the stabilizer and mark.



**Figure AT.** Using the measurement from Figure C, measure from the first measurement and mark.



**TO REDUCE ERRORS MEASURE TWICE, MARK ONCE AND CUT ONCE.**

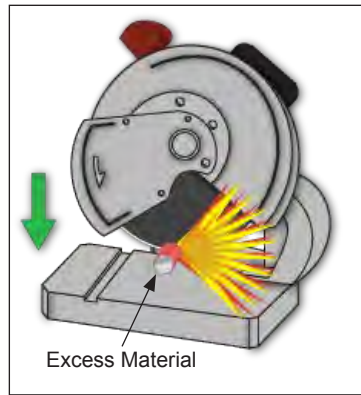
Using a chop saw equipped with a cutting disc cut off the excess material from the stanchion (See Figure AU). When cutting, let the saw get up to full speed. Bring it down with even and consistent pressure. During the cutting, it is possible to have an assistant spray water on the area being cut to reduce the discoloration. Follow through the cut with even pressure, making sure the disk goes through the tube at the end of the cut.

Using a disc grinder (See Figure AV) remove any burring or sharp points from where the stanchion was cut. Hold the tube to a 45° angle to the grinding surface and rotate the tube to evenly de-burr the edge. The inside burr can be removed with a coarse half round file. Holding the tube firmly on a flat surface, use a half round file to de-burr the inside edge of the tube.

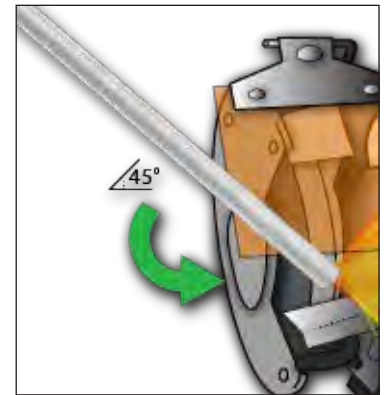
If the surface discoloration needs to be removed, a Scotch-Brite Pad (See Figure AW) can take it away, however it can also scratch a polished surface. A polishing/buffing pad and rouge compound would remove the discoloration also.

Assemble the Cable Stabilizer Kit by re-attaching both the stair stabilizer adjustable base and the stabilizer base to the stanchion by tightening the hex set screws with a 2.5 mm (7/64) Allen wrench (See Figure AX).

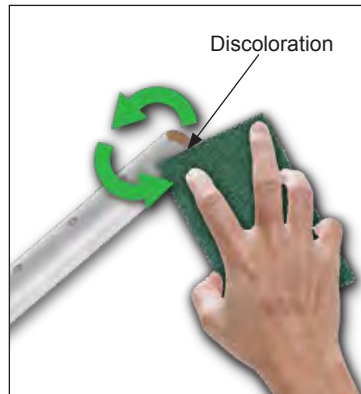
Place the Cable Stabilizer assembly at the center position of the mounting surface and mark the screw holes in the upper (underside of railing) and lower (mounting surface) stabilizer base with a pencil (See Figures AY and AZ).



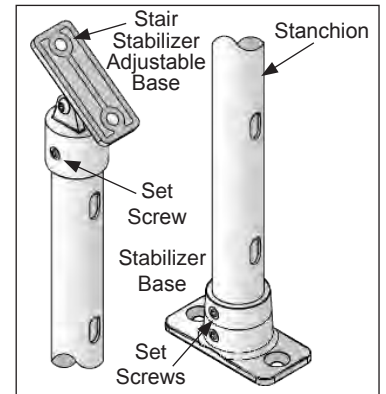
**Figure AU. (LEFT)** Cut off the excess material from the stanchion where marked.



**Figure AV. (RIGHT)** Remove any burring or sharp points from where the stanchion was cut with a disc grinder.



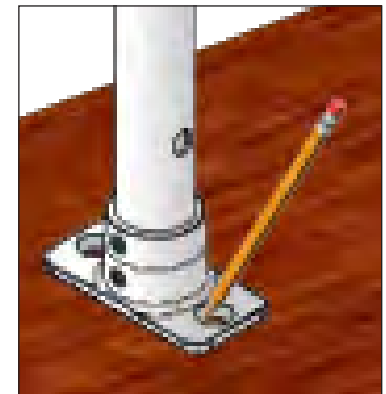
**Figure AW. (LEFT)** Remove any surface discoloration with a Scotch-Brite Pad.



**Figure AX. (RIGHT)** Assemble the Cable Stabilizer Kit by re-attaching both the stair stabilizer adjustable base and stabilizer base to the stanchion.



**Figure AY. (LEFT)** Mark screw holes in the cable stabilizer adjustable base with a pencil.



**Figure AZ. (RIGHT)** Mark screw holes in the lower stabilizer base with a pencil.



Put aside the stabilizer assembly. With a 5/32" drill bit, drill pilot holes at the pencil marks (See Figures BA and BB).



**Figure BA. (LEFT)** Drill pilot holes at the pencil marks in the bottom side of the handrail.

**Figure BB. (RIGHT)** Drill pilot holes at the pencil marks in the mounting surface.

Reposition the cable stabilizer between the bottom of the handrail and the mounting surface; while aligning to the pilot holes. Using a #2 driver bit and (4) four 1/4" x 2" Flat Head wood screws install the stabilizer assembly (See Figures BC and BD).



**DO NOT INSTALL CABLE BEFORE STABILIZER POSTS.**



**Figure BC. (LEFT)** Attach the top of the stair stabilizer to the underside of the top rail with (2) two 1/4 x 2" flat head wood screws.

**Figure BD. (RIGHT)** Attach the top of the stair stabilizer to the mounting surface with (2) two 1/4 x 2" flat head wood screws.

## Cable Stabilizer Product Specifications

### Components

Product	Description	Dimensions	Fasteners	Notes
A0908-BK60	Aluminum Stabilizer Kit (Black)	42" aluminum	RH thread	--
A0908-WH60	Aluminum Stabilizer Kit (White)	42" aluminum	RH thread	--
A0908-MT60	Aluminum Stabilizer Kit (Metallic)	42" aluminum	RH thread	--
S0950-0060	Cable Stabilizer Kit	42" 316L Stainless Steel	RH thread	--
S0950-0061	Cable Stabilizer Kit (for 2" Round Tube)	42" 316L Stainless Steel	RH thread	--
S0950-S060	Cable Stabilizer Stair Kit	42" 316L Stainless Steel	RH thread	--
C0916-A003-25	Cable Grommet (25 Pack)	1/8" Cable	--	--
C0916-0004-25	Cable Grommet (25 Pack)	5/32" Cable	--	--