



Features

- » Durable polyethylene construction
- » Two-piece design with easy lift-off access
- » ASSE approval on all three classifications
- » Built-in double-locking hasp
- » Insect-resistant ventilation media



FOR OUTDOOR INSTALLATIONS

Our insulated and uninsulated enclosures are designed primarily for the backflow market and fit ¾" – 2" backflow assemblies and pressure vacuum breakers. Available in three configurations: **1)** Dekorra box and base only; **2)** Dekorra backflow box and base with an insulated pouch providing R-13 insulation; or **3)** Dekorra backflow box and base with insulation and self-regulating heat source. **4)** Optional Cage View™ design allows for easy visual inspection and vandal protection. Choose from two natural tones—Green Turf or Brown Granite.

Job Name _____ Contractor _____

Job Location _____ Approval _____

Engineer _____ Contractor's P.O. Number _____

Approval _____ Representative _____

Model _____ Options _____

Specifications

Dekorrra Backflow Enclosures incorporate features to provide for positive drainage, security, and accessibility for monitoring, testing, repairing and replacing components. The enclosure provides freeze protection, freeze retardant or non-freeze protection of the components inside.

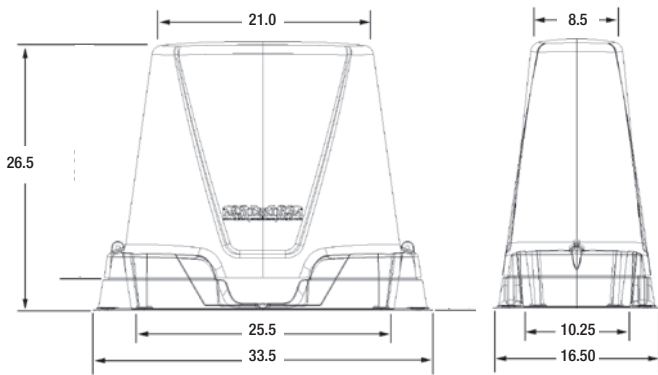
ASSE Classes

- » **CLASS I (C1)** – Freeze protection. Dekorra Enclosures Class I and I-V shall have a minimum thermal resistance value of eight and a positive means of heat. Dekorra Backflow enclosures have been designed and constructed to maintain a minimum internal temperature of 40°F.
- » **CLASS II (C2)** – Freeze retardant. Dekorra Enclosures Class II and II-V shall have a minimum thermal resistance value of eight. Dekorra Backflow enclosures have been designed and constructed to be installed in minimum external temperatures of 33°F.
- » **CLASS III (C3)** – Non-freeze protection. Dekorra Enclosures Class III and III-V are designed and constructed to provide system security for components when freezing temperatures are not a consideration.

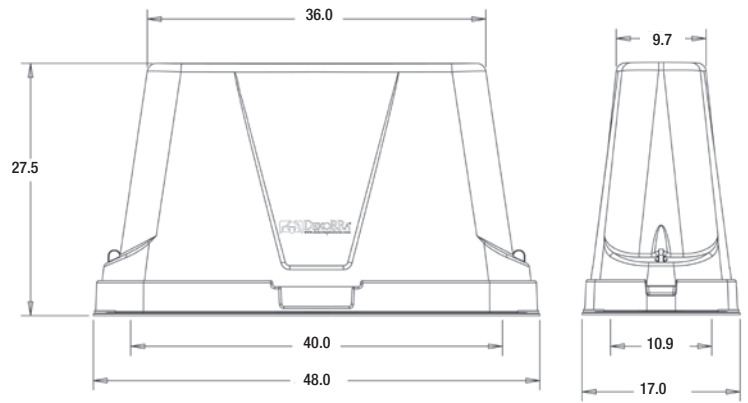


MODEL 301-BG-CV

MODEL 301



MODEL 302



ASSE CLASSIFICATIONS: CLASS III (C3) (non-insulated)
CLASS II (C2) (insulated)
CLASS I (C1) (insulated & heated)

MODEL 301 | Length: 33.5", Width: 16.5", Height: 26.5"
Weight: 15 lbs., 5 units per case

MODEL 302 | Length: 48", Width: 17", Height: 27.5"
Weight: 25 lbs., 5 units per case



Model 301-BG-C3
UPC 6 56803 33012 9

Model 301-BG-C2
UPC 6 56803 23012 2

Model 301-BG-C1
UPC 6 56803 13012 5



Model 302-BG-C3
UPC 6 56803 33022 8

Model 302-BG-C2
UPC 6 56803 23022 1

Model 302-BG-C1
UPC 6 56803 13022 4



Model 301-GT-C3
UPC 6 56803 33011 2

Model 301-GT-C2
UPC 6 56803 23011 5

Model 301-GT-C1
UPC 6 56803 13011 8

MODEL 302-BG-C3

Model 302-GT-C3
UPC 6 56803 33021 1

Model 302-GT-C2
UPC 6 56803 23021 4

Model 302-GT-C1
UPC 6 56803 13021 7



Model 301 CageView™

Model 301-GT-CV
UPC 6 56803 63011 3

Model 301-BG-CV
UPC 6 56803 63012 0

COLOR OPTIONS:
Choose Brown Granite (BG) or Green Turf (GT)

STANDARD

Foam Inserts
Model 701-FV

Foam inserts for ventilation are included with each enclosure.

OPTIONAL

Metal Vents
Model 701-MV

Optional metal grate vents for additional security.

Hardware is included with each enclosure for anchoring to a concrete pad. Stakes are also included for situations where no concrete pad is required.

Model 302 CageView™

Model 302-GT-CV
UPC 6 56803 63021 2

Model 302-BG-CV
UPC 6 56803 63022 9



This enclosure's base has a solid floor for mounting a pump.

Model 321 Dimensions:
33.5"L x 16.5"W x 26.5"H

Model 321-GT
UPC 6 56803 03011 1

Model 321-BG
UPC 6 56803 03012 8

This enclosure's base has a solid floor for mounting a pump.

Model 322 Dimensions:
48"L x 17"W x 27.5"H

Model 322-GT
UPC 6 56803 03021 0

Model 322-BG
UPC 6 56803 03022 7