



Custom Craft  
Distribution, Inc.

RAILING • FENCING • PERGOLAS

# DECK BOARD RAILING CONNECTOR INSTALLATION INSTRUCTIONS

## Tools Needed

- Drill/power screwdriver
- Miter or circular saw
- Assorted fasteners (included)
- Carpenter's level
- Carpenter's pencil
- Tape measure
- Safety glasses/goggles

## Contents

- 6 – Mounting brackets
- 2 – Deck mount rail brackets
- 36 – #8 x 3/4" stainless steel screws

## Installation

**Step 1** Substitute deck mount rail brackets for standard rail brackets.

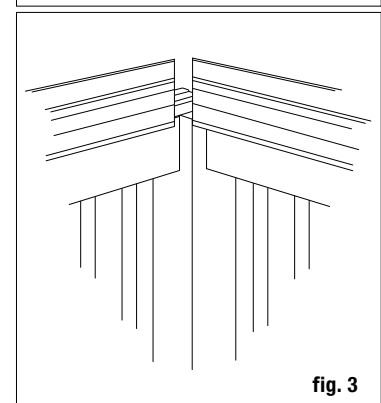
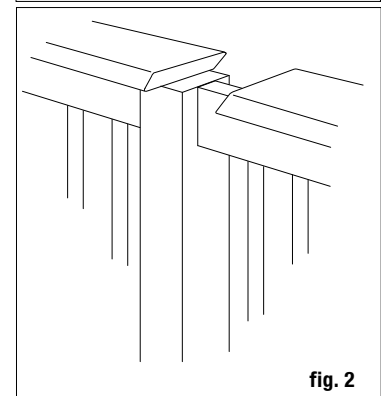
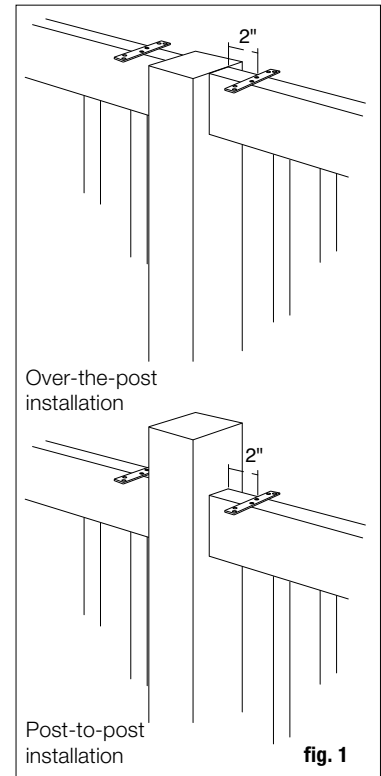
**Step 2** Install one deck board mounting bracket at each end of the rail section, 2" from the post. Center the mounting bracket across the top of the rail with the countersunk center holes facing up (fig. 1).

**Step 3** Predrill through the two center holes in the mounting bracket using a drill bit (1/8" into aluminum, 7/64" into wood). Use two #8 x 3/4" SS screws to attach deck board mounting bracket to top of rail.

**Step 4** Position the remaining 4 mounting brackets at equal intervals along the top of the rail and repeat the process.

**Step 5** Join together two in-line deck board sections with 22.5-degree scarf joints (fig. 2) and 45-degree miter joints at the corners (fig. 3). Assure that the joints occur on top of the posts. Secure the joints with glue or caulk per the deck board manufacturer's specifications.

**Step 6** Once the mounting brackets are in place on the rail, secure the deck board by predrilling with a 7/64" drill bit from underneath the deck board, through the countersunk holes in the mounting bracket. Secure the mounting bracket to the deck board using the #8 x 3/4" SS screws (included).



For complete information on  
all our products visit us at  
[www.customcraftdist.com](http://www.customcraftdist.com)

