

TREX SIGNATURE® X-SERIES™ HORIZONTAL FRAMELESS GLASS RAIL

Installation Instructions



NOTES:

- » PLEASE READ ALL INSTRUCTIONS BEFORE BEGINNING INSTALLATION. USE ALL REQUIRED PARTS WHERE SPECIFIED.
- » **MUST USE 1/2" LAMINATED GLASS. SGP INTERLAYER IS RECOMMENDED.**
- » FOR ORDERING 1/2" LAMINATED GLASS PANELS, GO TO GLASS.TREX.COM. FOR MORE INFORMATION, CALL 1-800-BUY-TREX.
- » X-SERIES FRAMELESS GLASS RAIL IS ONLY COMPATIBLE WITH X-SERIES ANCHOR POSTS. IT CANNOT BE USED WITH STANDARD SIGNATURE POSTS OR PRESSURE-TREATED POSTS/POST SLEEVES.
- » X-SERIES FRAMELESS GLASS RAIL IS DESIGNED TO BE INSTALLED AT A MAXIMUM CLEAR SPAN OF 6' BETWEEN X-SERIES ANCHOR POSTS.
- » X-SERIES FRAMELESS GLASS RAIL CANNOT BE USED WITH TRADITIONAL OR COCKTAIL DESIGNS.
- » NOT RECOMMENDED FOR STAIR APPLICATIONS.
- » REFER TO TREX CARE AND CLEANING GUIDE FOR DETAILED CLEANING RECOMMENDATIONS.
- » GLASS IS INTENDED TO BE INSTALLED FROM THE INSIDE OF THE DECK.

Tools Required:

- Please wear safety glasses during installation.
- Note that tools are NOT included unless otherwise specified.
- Min 18V drill
- Min 18V impact driver (post install only)
- Tape measure
- 9/16" drill bit
- 3/4" socket
- Hammer
- Level
- Glass suction cups (for lifting and placing glass panel)

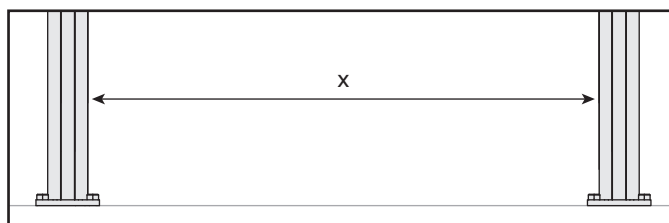
6' Horizontal Frameless Glass Rail Configuration

- » (2) X-Series Anchor Posts (sold separately)
- » (2) Rigid Gaskets
- » (2) Flexible Gaskets
- » (2) Glass Edge Pads
- » (2) Bottom Glass Spacers
- » (2) Top Inserts

LAMINATED GLASS PANEL DIMENSIONS

- » **For 36" Height:**
1/2" thick x 33" x 73.125"
(12.7 mm x 838 mm x 1857 mm)
- » **For 42" Height:**
1/2" thick x 39" x 73.125"
(12.7 mm x 991 mm x 1857 mm)

IMPORTANT NOTE: IF NOT INSTALLING GLASS AT FULL 6' SPAN, MEASURE DISTANCE BETWEEN POSTS AND ADD 1.125".

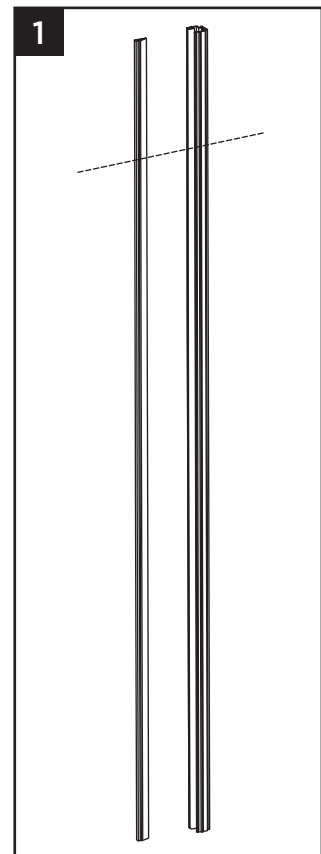


X + 1.125" (28.6 mm)

NOTE: Install X-Series Anchor Posts as per instructions provided with these posts. Then proceed to instructions below.

Cutting Rigid and Flexible Gaskets

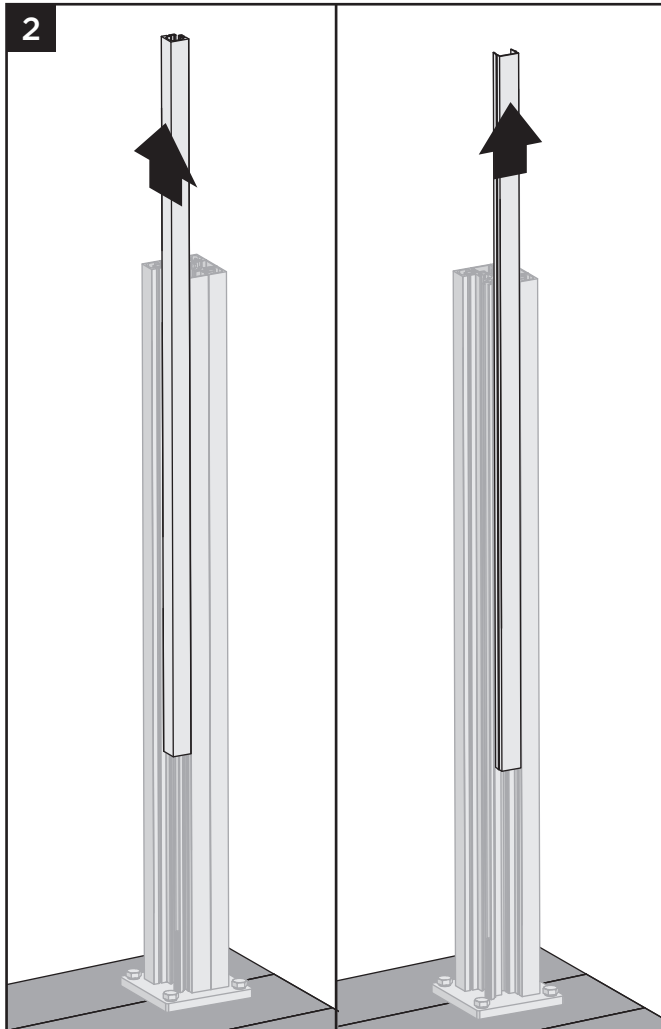
1. Cut rigid and flexible gaskets to the height of the glass being used.



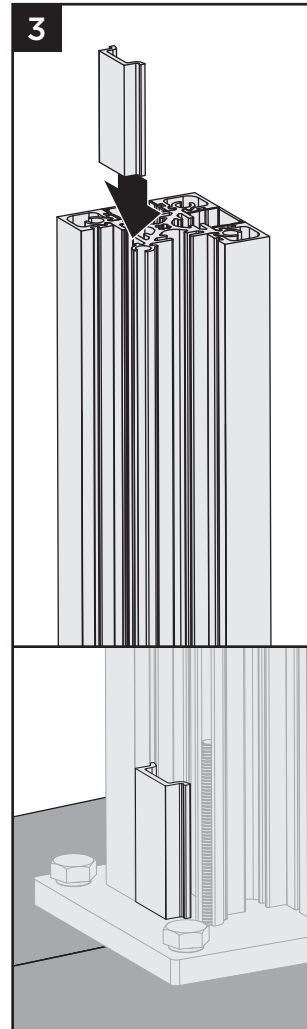
TREX SIGNATURE® X-SERIES™ HORIZONTAL FRAMELESS GLASS RAIL

Installation Instructions

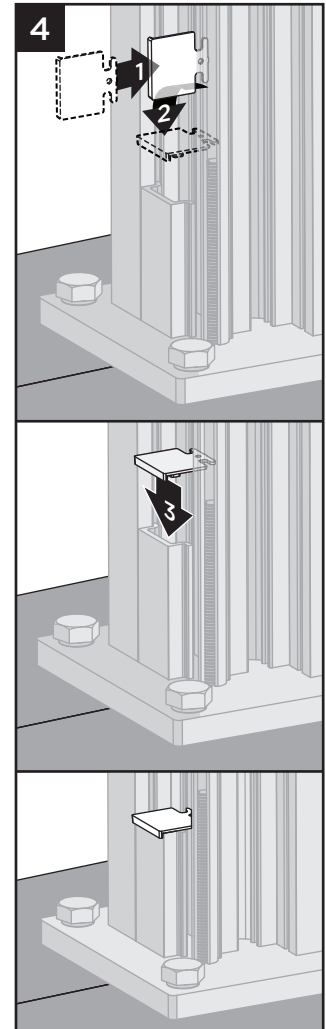
Preparing X-Series Anchor Posts for Glass Installation



2. Temporarily remove front inside corner cover and front side cover from both X-Series Anchor Posts.



3. At both post locations, slide bottom glass spacer into X-Series Anchor Post as shown so that it sits on top of the post baseplate.



4. At both post locations, insert glass edge pad vertically into X-Series Anchor Post as shown, rotate so that flat side is facing up, and install on top of bottom glass spacer as shown.

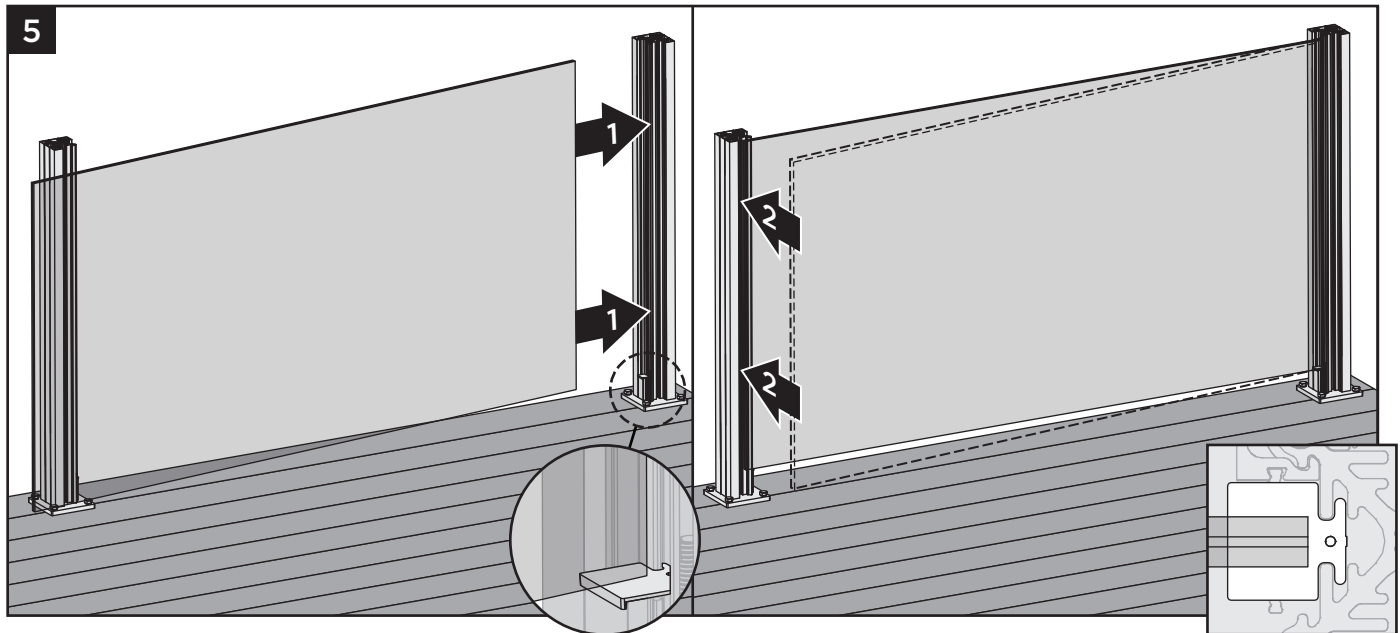
2

Have Questions?
1-800-BUY-TREX

NOTE: Construction methods are always improving. Please ensure you have the most up-to-date installation instructions by visiting: trex.com

XGLASS-0424

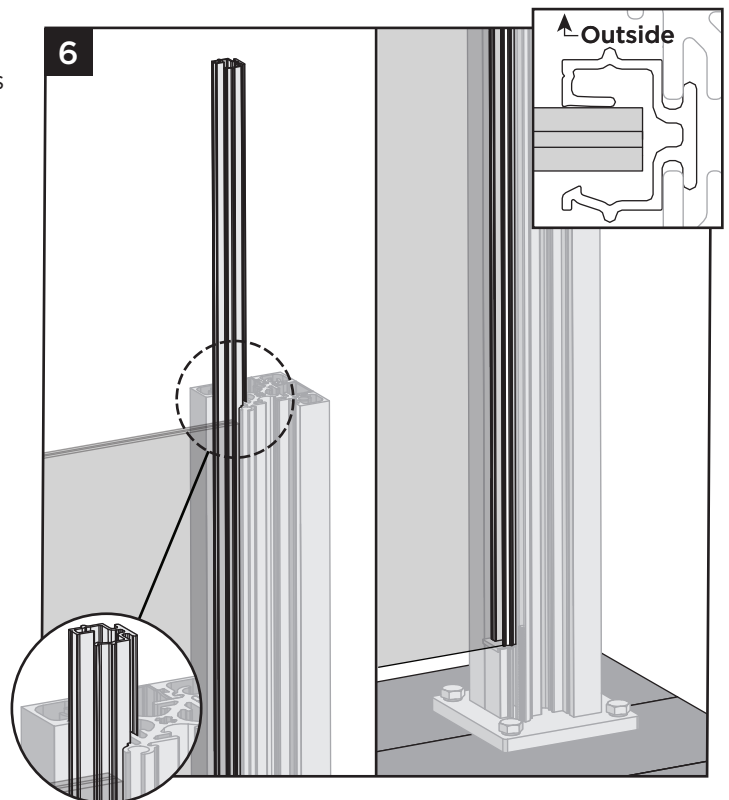
Installing Glass Panel



5. Using glass suction cups as per their instructions, pick up glass panel and install at an angle into the open channel of the first X-Series Anchor Post so that the glass rests on the glass edge pad. Then rotate glass panel into the opposite X-Series Anchor Post as shown. **DO NOT LET GO OF THE GLASS!**

TIP: For aesthetics, if glass safety marking is visible, install glass in such a manner that the location of the safety marking is consistent.

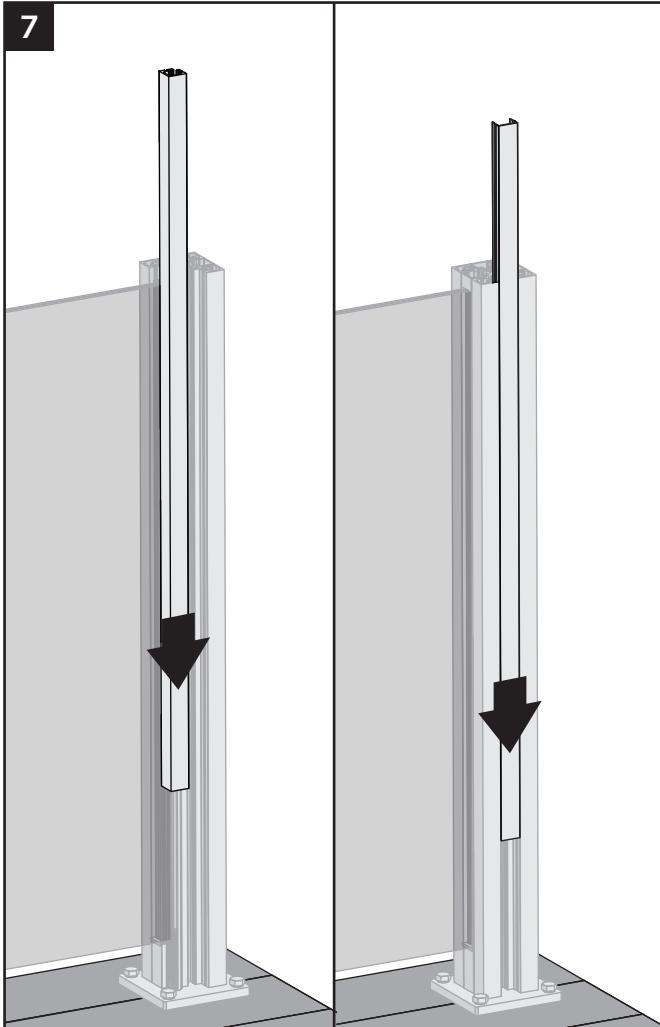
6. At both post locations, slide rigid gasket into X-Series Anchor Post as shown (ensuring the "J-hook" feature of the gasket is facing the **OUTSIDE** of the deck) until the gasket rests on top of the glass edge pad.



3

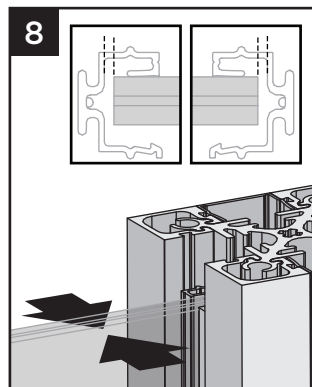
TREX SIGNATURE® X-SERIES™ HORIZONTAL FRAMELESS GLASS RAIL

Installation Instructions



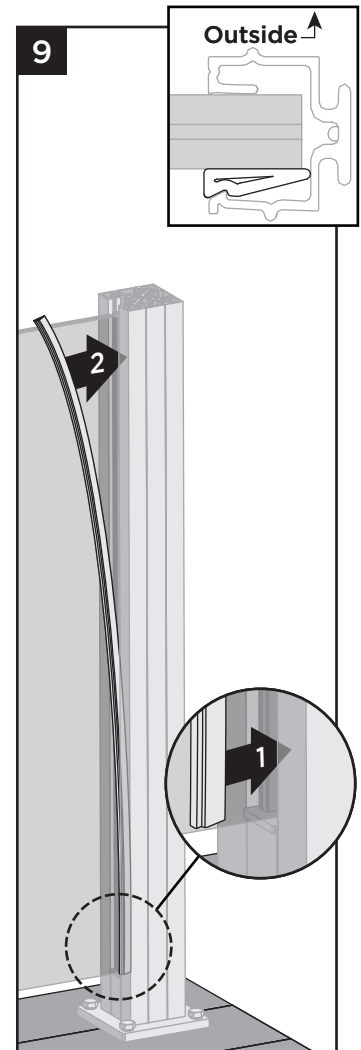
7. Slide corner covers back onto X-Series Anchor Posts, and then slide/snap side covers back onto posts.

8. Adjust glass so it is centered between posts as shown. Glass should be touching J-hook on both rigid gaskets.

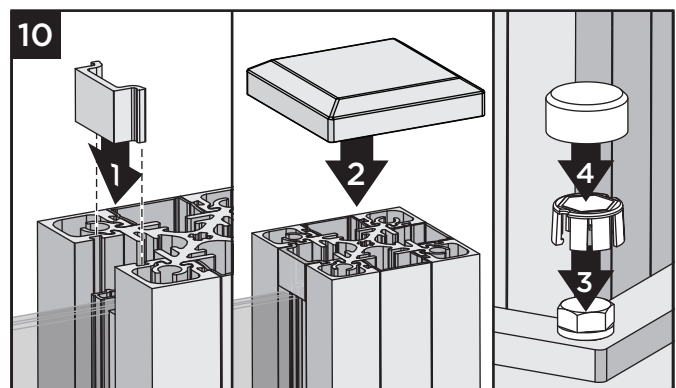


9. Orient flexible gasket as shown so that the flat side of the gasket is facing the glass. Starting at the bottom of the post, press the flexible gasket in between the glass and rigid gasket as shown until fully seated. If gasket extends above the top edge of the glass once installed, trim off excess.

TIP: Use warm soapy water if gasket is difficult to install. Clean off after use.



Final Installation Steps



10. Install top inserts, post caps, and bolt caps to complete installation. For bolt caps, align hex shadow line on inner cap with bolt head before installing outer cap.

4

Have Questions?
1-800-BUY-TREX

NOTE: Construction methods are always improving. Please ensure you have the most up-to-date installation instructions by visiting: trex.com

XGLASS-0424