

HOW TO INSTALL TREX SIGNATURE® X-SERIES™ POSTS

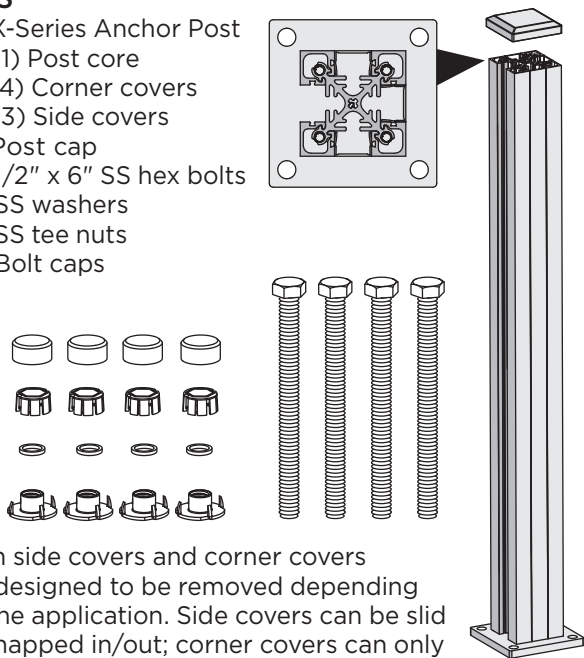
The Trex Signature X-Series Post is a highly configurable, modular post that can accommodate end, line, and corner configurations, and can be adapted to various infills in the Trex Signature X-Series product line.

IMPORTANT NOTES:

- » **EACH POST MUST BE ATTACHED AS SHOWN TO ENSURE A CODE COMPLIANT AND SAFE INSTALLATION.**
- » ALWAYS refer to your local building code official prior to installing any railing system to ensure all code and safety requirements are met. Trex cannot be held responsible for improper or non-recommended installations.
- » When installing Trex Signature X-Series Posts on ACQ or CCA surfaces, use an appropriate isolation barrier between post and surface (contact local building code official if needed).

PARTS

- » (1) X-Series Anchor Post
- » (1) Post core
- » (4) Corner covers
- » (3) Side covers
- » (1) Post cap
- » (4) 1/2" x 6" SS hex bolts
- » (4) SS washers
- » (4) SS tee nuts
- » (4) Bolt caps



Both side covers and corner covers are designed to be removed depending on the application. Side covers can be slid or snapped in/out; corner covers can only be slid in/out.

TOOLS NEEDED

- » Minimum 18V impact driver
- » Minimum 18V drill
- » 9/16" drill bit
- » Level
- » Tape measure
- » 3/4" socket
- » Hammer

MATERIALS NEEDED

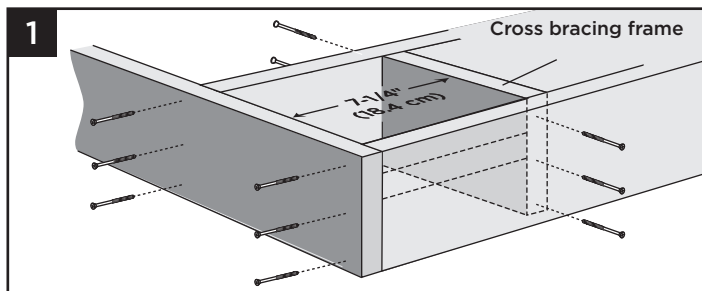
- » Blocking – Min. 2" x 8" (51 mm x 203 mm) pressure-treated Southern Yellow Pine or equivalent
- » Qty: 36 (per post) – 3" pressure-treated compatible wood screws (not provided).

CODE APPROVED POST APPLICATIONS

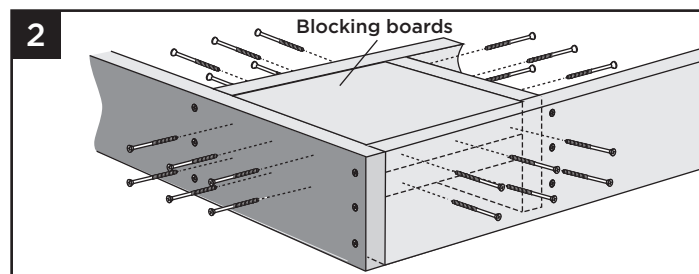
< 30" height decking	Acceptable (Code Approval not Applicable)
IRC Compliant	Yes
IBC Compliant	No

INSTALLING X-SERIES POSTS ON PRESSURE-TREATED WOOD FRAMING

Installing Blocking at Corners



1. Install 2" x 8" cross bracing frame in between joists at 7-1/4". Attach using a total of (12) 3" pressure-treated compatible wood screws.



2. Install (2) 2" x 8" boards as blocking under post location. Securely attach blocking using a total of (24) 3" pressure-treated compatible wood screws.

NOTE: TO ENSURE BLOCKING IS FULLY SECURE, USE THE AMOUNT OF WOOD SCREWS INDICATED ABOVE.

TIP: Use two additional wood screws to "sandwich" blocking boards together for easier attachment to framing.

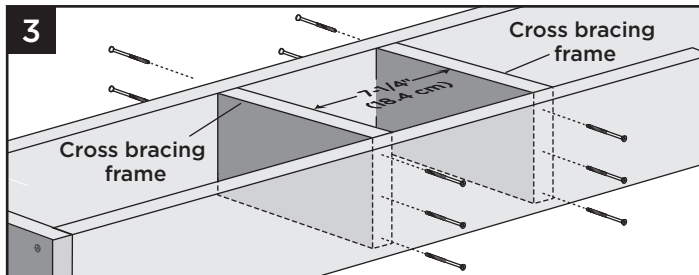
1

TREX SIGNATURE® X-SERIES™ POSTS

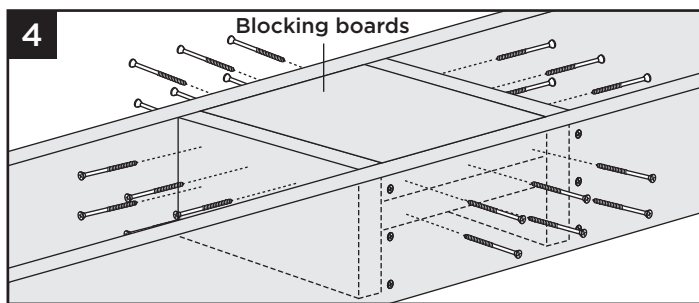
Installation Instructions for Pressure-Treated Wood Framing

INSTALLING X-SERIES POSTS ON PRESSURE-TREATED WOOD FRAMING/*CONTINUED*

Installing Blocking on Straight Runs

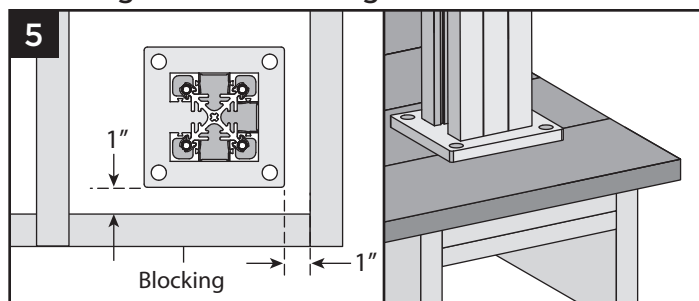


3. Install (2) 2" x 8" cross bracing frames in between joists at 7-1/4". Attach using a total of (12) 3" pressure-treated compatible wood screws.



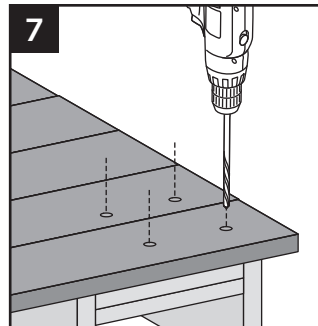
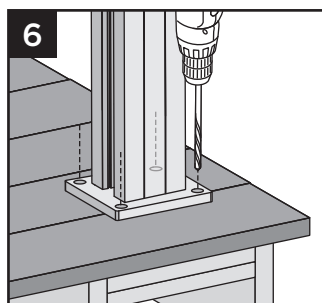
4. Install (2) 2" x 8" boards as blocking under post location. Securely attach blocking using a total of (24) 3" pressure-treated compatible wood screws.

Mounting Posts to Blocking



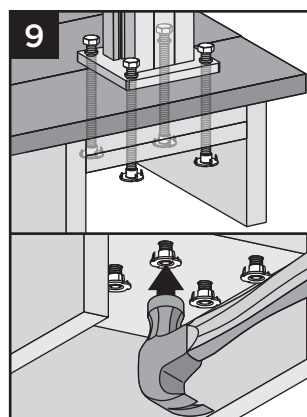
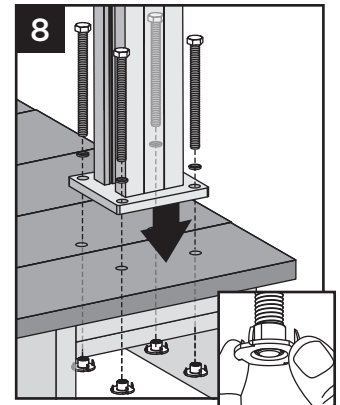
5. Determine edge of framing and measure in minimum 1" from this location. If measuring from corner, ensure 1" from each edge as shown (left image above: deck boards removed for clarity).

6. Using post as template, mark location of holes for mounting bolts using 9/16" drill bit (long bit will be required).



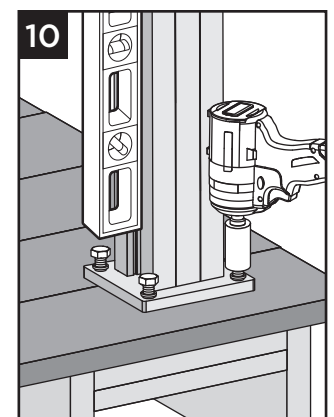
7. Set post aside and drill through decking and blocking using same 9/16" drill bit.

8. Attach posts using (4) 1/2" x 6" hex bolts, washers, and tee nuts. Be sure to place washers in correct location as shown. **IMPORTANT:** Thread tee nut onto bolt until flush with end of bolt as shown.



9. Hammer tee nut into blocking until teeth fully engage with blocking. Be sure to hammer the tee nut and not the bolt itself.

10. Using an impact driver with 3/4" socket, fully tighten bolts until post is secure. Do not push down on bolt while tightening. Use a level on sides of post to ensure post is plumb.



Tip: Slide corner covers up for easier access when installing bolts.

11. Install bolt caps. Align hex shadow line on inner cap with bolt head and snap into place; then push outer cap onto inner cap.

Note: Post cap is to be installed after railing of choice is completed.

