

# ARCHITECTURAL SILL INSTALLATION GUIDE


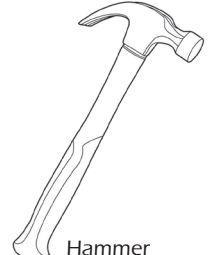
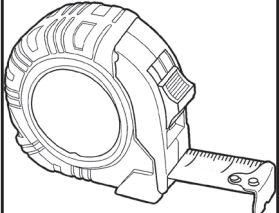

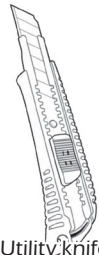
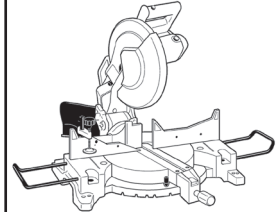
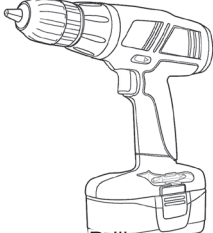
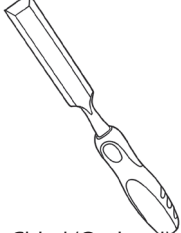
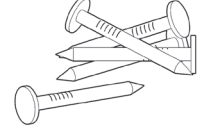
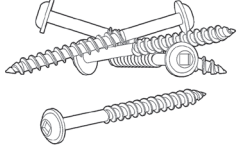


FRANÇAIS  
VOIR P.7

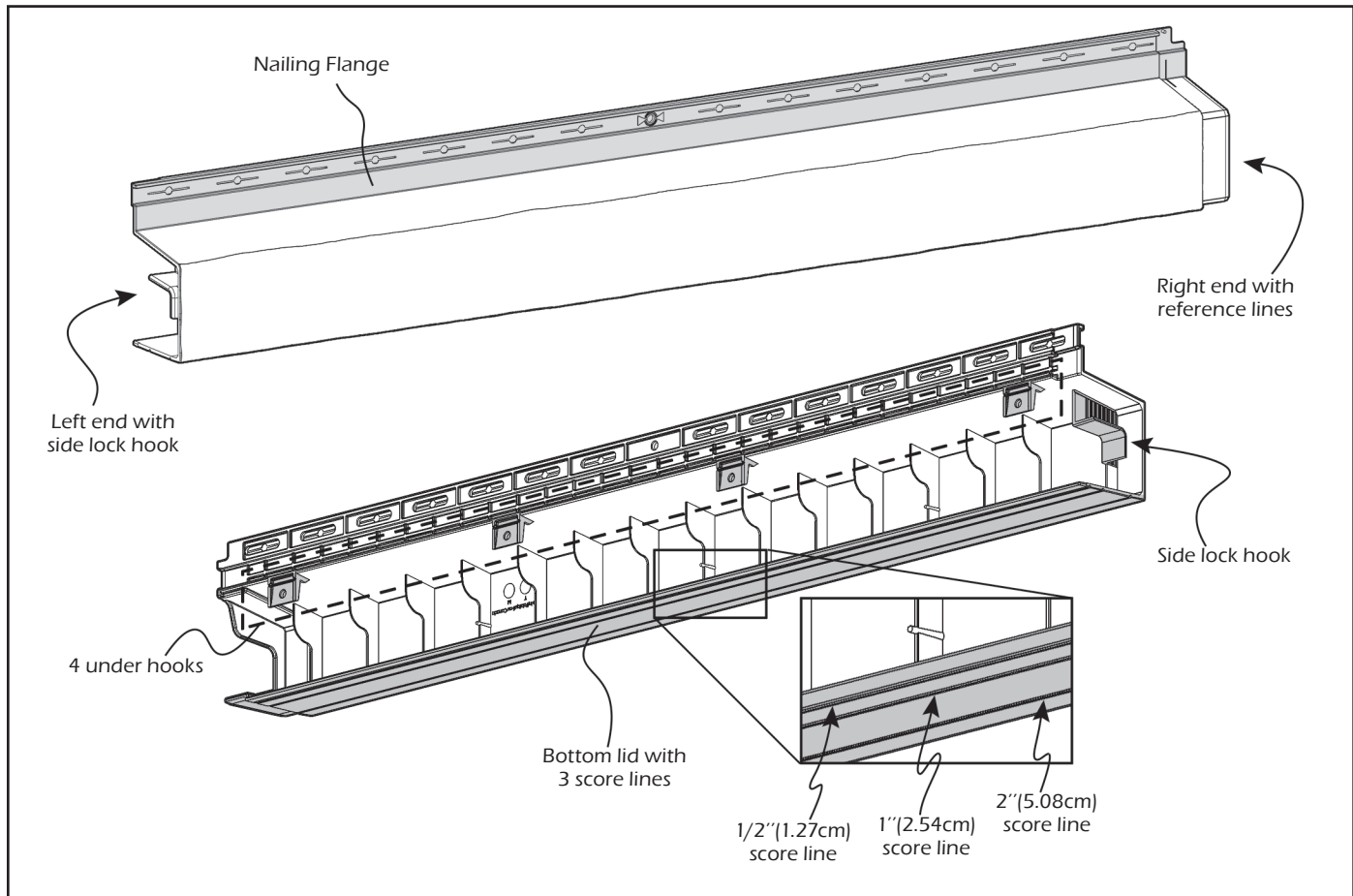
## GENERAL INFORMATION

**CAUTION: REMEMBER THAT TANDO PRODUCTS UNDERGO SLIGHT EXPANSION/CONTRACTION DUE TO VARIATIONS IN TEMPERATURE. THE FOLLOWING INSTRUCTIONS WILL ALLOW FOR THE EXPANSION / CONTRACTION OF THE MATERIAL.**

Tools and hardware required for the installation:

 <p>Level</p>	 <p>Hammer</p>	 <p>Tape measure</p>	 <p>Snips</p>	 <p>Utility knife</p>
 <p>Miter saw with finish blade</p>	 <p>Drill</p>	 <p>Chisel (Optional)</p>	 <p>Corrosion resistant nails with a head diameter of 0.4" (1cm), a shank of 0.15" (0.38cm) and a length of at least 1 1/2" (3.81cm)</p>	<p>Or</p>  <p>Corrosion resistant screws with a washer head or pan head and minimum length of 2 1/2" (6.35cm) if using with Stacked Stone Corners</p>

## Product Illustration



# ARCHITECTURAL SILL INSTALLATION GUIDE



## GENERAL INFORMATION (CONTINUATION)

1-Locate where you want to install the Architectural Sill and make sure you have a solid nailing surface in these locations. If installing on a furred wall, make sure to install furring on these nailing locations. To attach the Architectural Sill, always use corrosion resistant nails or screws that penetrate a minimum of 1 1/4" (3.18cm) into a solid surface.

2-Always nail through the installation holes. These holes are surrounded by a membrane which allows a precise centering of the nail and the expansion/contraction of the material. Each sill must be nailed through the center hole and at both ends (Figure 1). If a sill is cut and does not have the initial center hole, drill a new center hole of 1/8" (0.32cm) diameter at the same height and between the other installation holes and nail through it.

3-Never hammer the nails in completely; leave a gap of 1/16" (0.16cm) between the nailing flange and product. The stoppers located around the holes stop the hammer from driving the nails in too far, and provides the required gap (Figure 2).

4-Make sure that all pieces are properly inserted into one another and spaced correctly. Adjust sills to the stopper and/or to the reference line (Figure 3).

Note:  
Keep all the different R-E-L numbers (ex: REL-123456) of your products located on the back for future references (Figure 4).

Figure 1

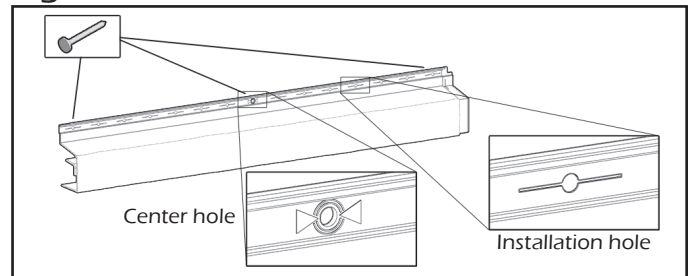


Figure 2

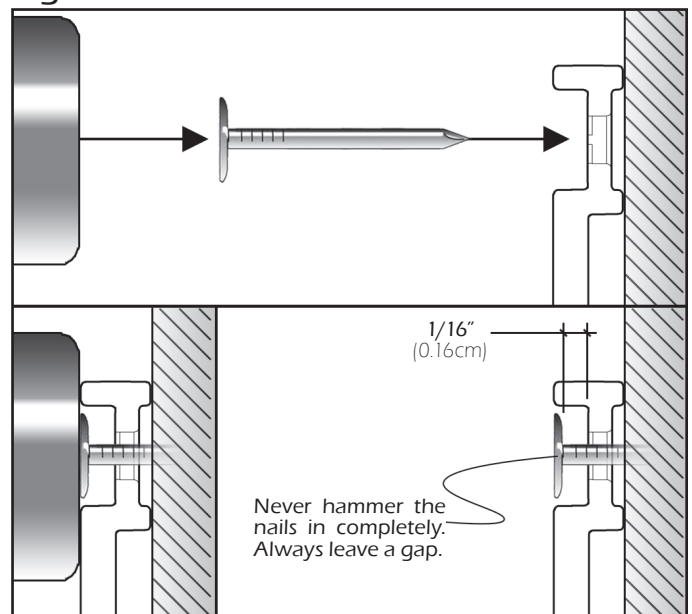


Figure 3

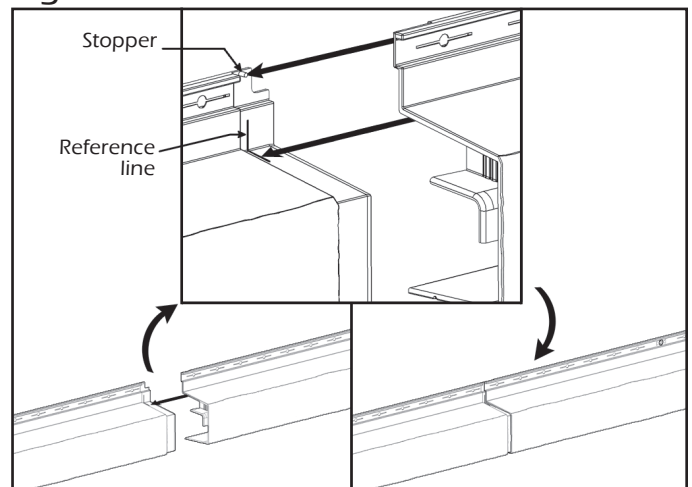
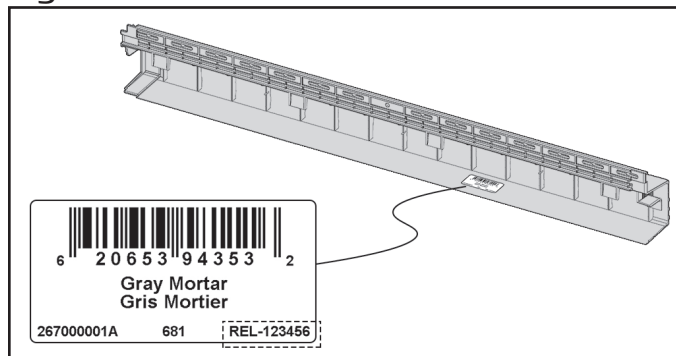


Figure 4



## INSTALLATION STEPS

**Note:** Before beginning the installation of any Architectural Sill part, install the Tando panels on the lower section of the wall up to the desired height as specified in its own installation guide. Then, it is recommended to install Architectural Sill Corners or Architectural Sill End Caps on the wall before proceeding with installation of the Architectural Sills.

### OUTSIDE ARCHITECTURAL SILL CORNER

1-First, install Architectural Sill Corner on an outside corner of two adjacent walls by following one of the two options below. (Figure A)

**Option 1:** Architectural Sill above a full Tando panel with the nailing flange still attached

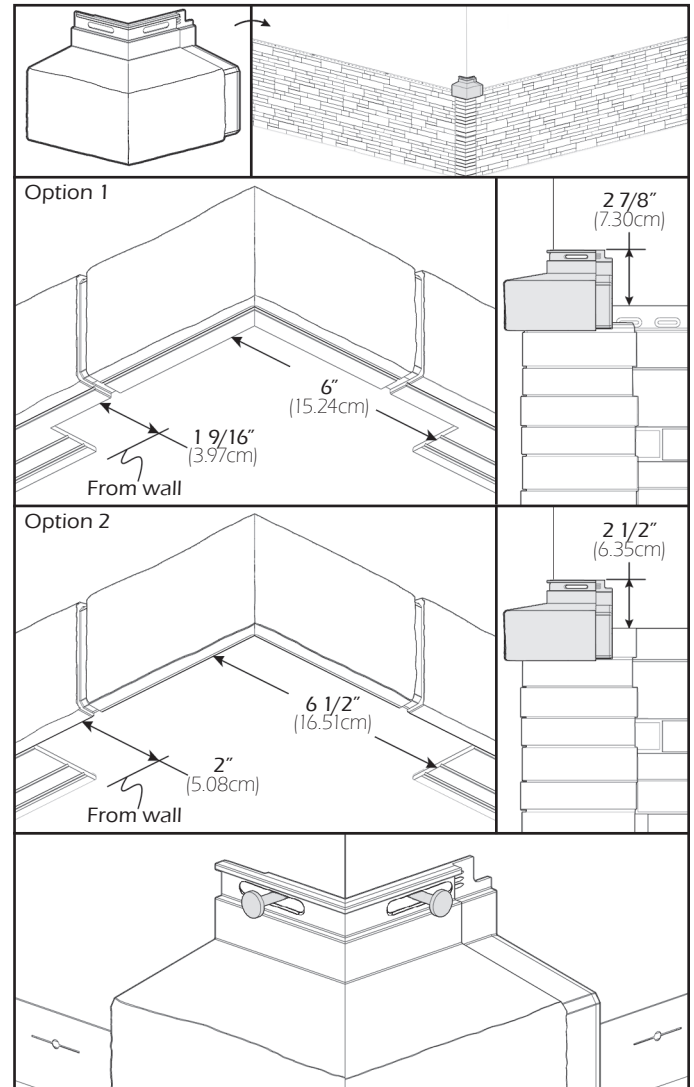
Using snips, cut the bottom of the Architectural Sill Corner and trim to provide at least  $1\frac{9}{16}$ " (3.97cm) of clearance between the sill and the wall. You may cut in between score lines for an optimal fit with the Tando corner or at the 2" (5.08cm) score line to leave a gap. The cut portion should be extended on the first sill on each side of the Architectural Sill Corner to have an overall gap of 6" (15.24cm) wide to prevent interference between the sill and the Tando corner. Install the Architectural Sill Corner  $2\frac{7}{8}$ " (7.30cm) above the nailing flange of the stone panels.

**Option 2:** Architectural Sill above a cut Tando panel where the nailing flange was removed

Using snips, cut the bottom of the Architectural Sill Corner and trim at the 2" (5.08cm) score line. The cut portion should be extended on the first sill on each side of the Architectural Sill Corner to have an overall gap of  $6\frac{1}{2}$ " (16.51cm) wide to prevent interference between the sill and the Tando corner. The top of the nailing flange should be  $2\frac{1}{2}$ " (6.35cm) above the top of the Tando corner.

Then, nail into the installation holes located on each side of the Architectural Sill Corner. Make sure both sides are level and fasten using one nail on each side (Figure A). It is recommended to install all the Architectural Sill Corners on the walls before proceeding with the installation of the Architectural Sill.

Figure A



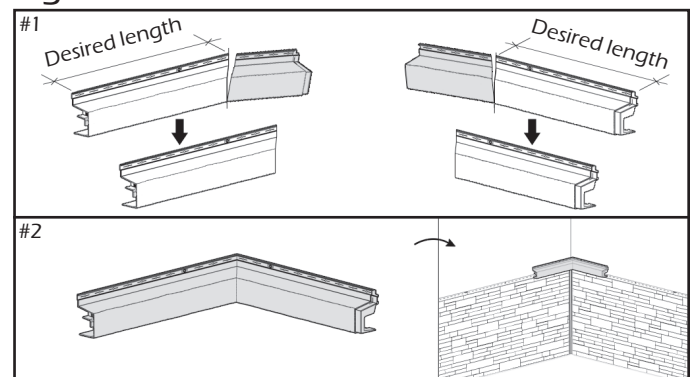
### INSIDE ARCHITECTURAL SILL CORNER

1-Finish an inside corner:

Assuming walls are perpendicular, cut the ends of the two sills that are forming the inside corner of the wall to the desired length with facing 45° angles. Fasten the two pieces of sill to the wall as specified in GENERAL INFORMATION ensuring the mitered cuts meet together (Figure B). Apply sealant over the joint if needed.

**Note:** Pay attention not to constrain the expansion and contraction movement of the sill. Then follow the standard installation steps.

Figure B

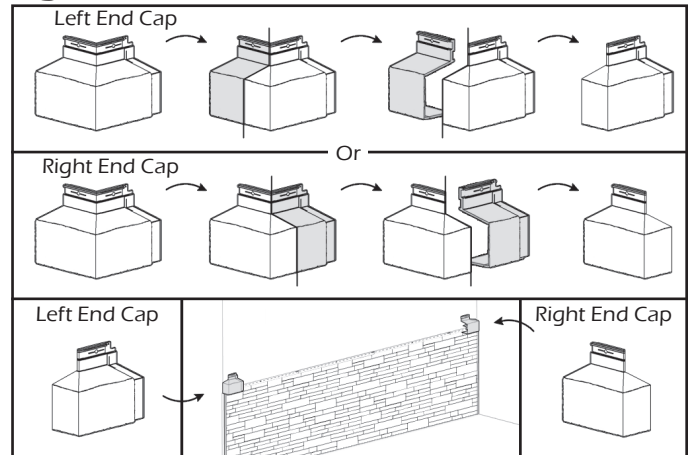


## INSTALLATION STEPS (CONTINUATION)

### ARCHITECTURAL SILL END CAP

1-To create a finished end (sill end cap):  
Cut the rear portion of an Architectural Sill Corner flush with the adjacent side to form a sill cap. Two configurations are possible depending on which side of the wall is ending (Figure C). Nail the sill cap to the wall making sure it is level. Be sure to align Architectural Sill with end cap during installation.

Figure C



### ARCHITECTURAL SILL

1-Install Architectural Sills on walls by following one of the three options below (Figure D)

#### Option 1: Installing Architectural Sill over Full Panels with Nailing Flange

For an installation over full Tando panels where the nailing flange is still attached, the bottom of the sill sits flush with the lower inclined edge of the nailing flange, concealing all fasteners. The bottom of the sill needs to be cut at its 1/2" (1.27cm) score line. (Figure D, Option 1)

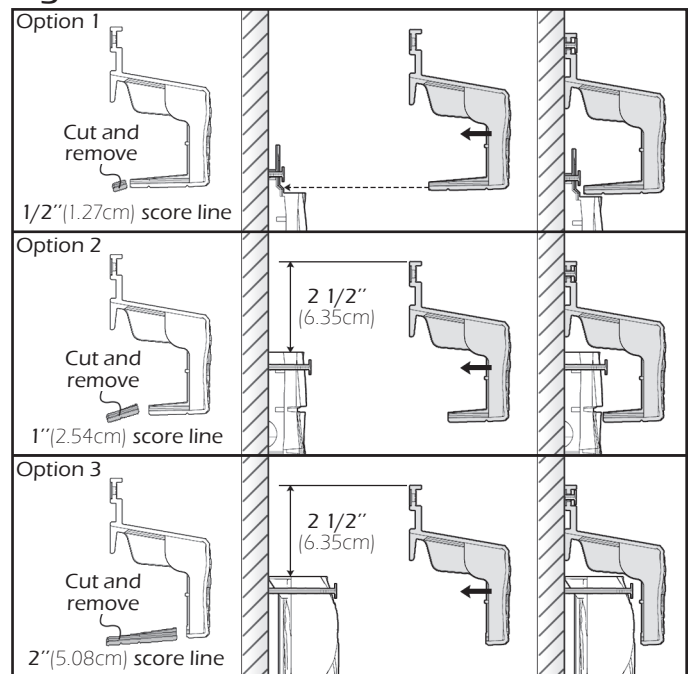
#### Option 2: Installing Architectural Sill over Cut Panels

For an installation over Tando panels where the nailing flange has been cut off, the bottom of the sill can be cut at its 1" (2.54cm) score line to provide enough clearance for the thickness of the panels. (Figure D, Option 2)

#### Option 3: Installing Architectural Sill over Thick Materials/ Panels

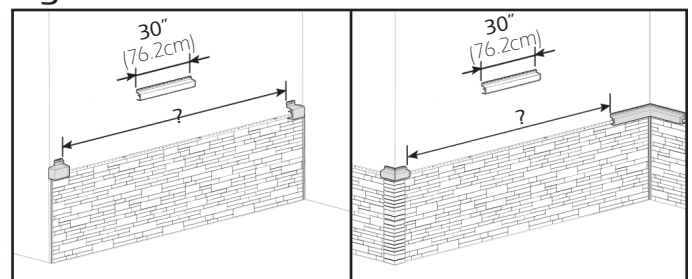
For an installation over any thicker siding materials or offset panels, the bottom of the sill can be cut at its 2" (5.08cm) score line. (Figure D, Option 3)

Figure D



2-Before making any cuts, it is suggested you plan your layout first. Measure the length of the wall between Architectural Sill Corners or End Caps, divide by 30" (76.2cm) and spread the cut of the first and last sill to have equal lengths of sill on the wall (Figure E).

Figure E



## INSTALLATION STEPS (CONTINUATION)

### ARCHITECTURAL SILL (CONTINUATION)

3-To cut the length of the sill, always cut from the left side. When fitting a cut end with a factory edge (right end of a sill or a corner/end cap), the back of the cut nailing flange must be shaved to sit flush. Using a utility knife, an angle grinder or chisels, shave the ribs behind the nailing flange on a length of approximately 1" (2.54cm). Make sure to also remove any feature on the inside of the sill that may obstruct the insertion of the adjacent piece (Figure F).

4-Install the first sill previously cut into the corner or end cap. Leave the required space between parts then nail it in place while making sure to keep it straight and level (Figure G). Repeat for all successive sills until the end of the wall (Figure H).

Figure F

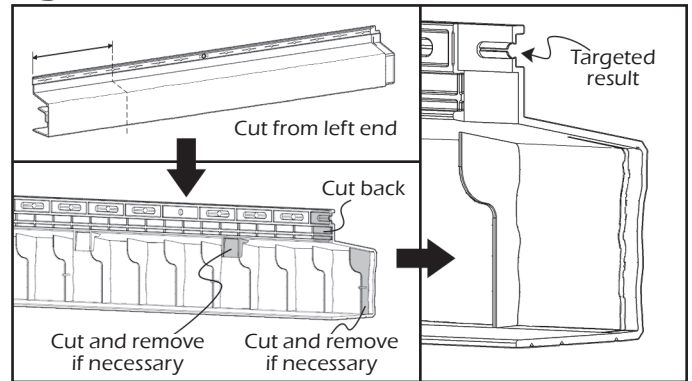


Figure H

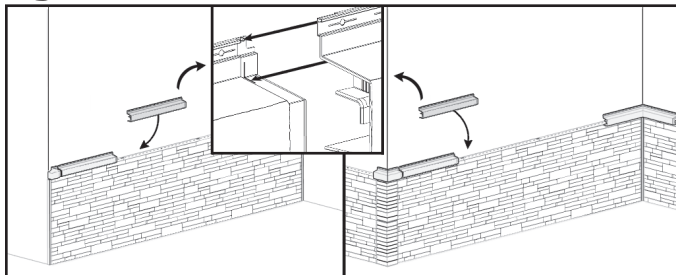
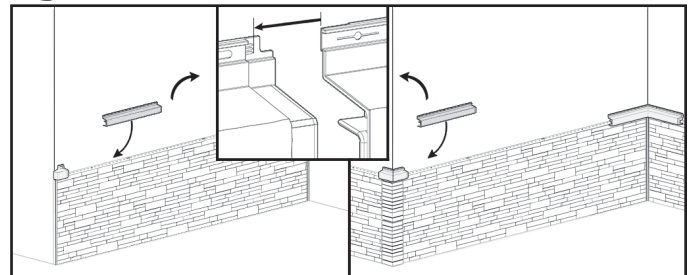


Figure G



### FINISH UNDER A WINDOW SILL

1-To install under a window sill, carefully cut the nailing flange of the Architectural Sill required to cover the full length of the window plus an extra 1/4" (0.64cm) on both side of the window. **Keep the cut portion of all nailing flanges** and install them upside down, centered and at a distance of 1 5/16" (3.33cm) below the window (Figure I). Nail through the center hole and at both ends for all nailing flanges.

2-Install the siding below the window as specified in its own installation guide by leaving a distance of 1/4" (0.64cm) below the nailing flanges (Figure J).

3-Take previously cut sills and, if necessary, cut the bottom of sills to allow a proper installation over the lower section siding (see Figure D, page 4). Slide the under hooks of the sills onto the nailing flanges previously installed on the wall (Figure K). Make sure to leave the required space between each of them (Figure H) and nail in the remaining installation holes. Then, continue the regular installation of Architectural Sills until the end of wall.

Figure I

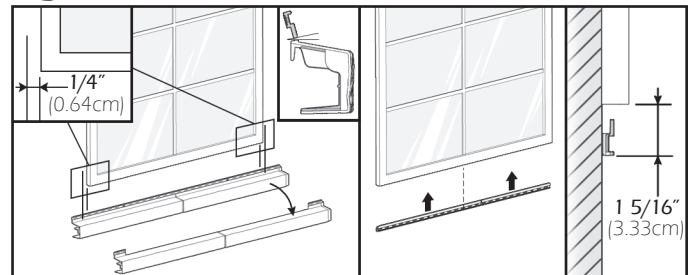
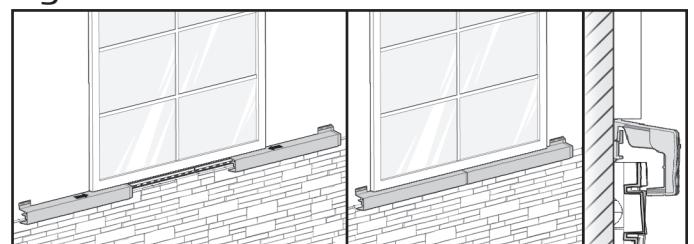


Figure J



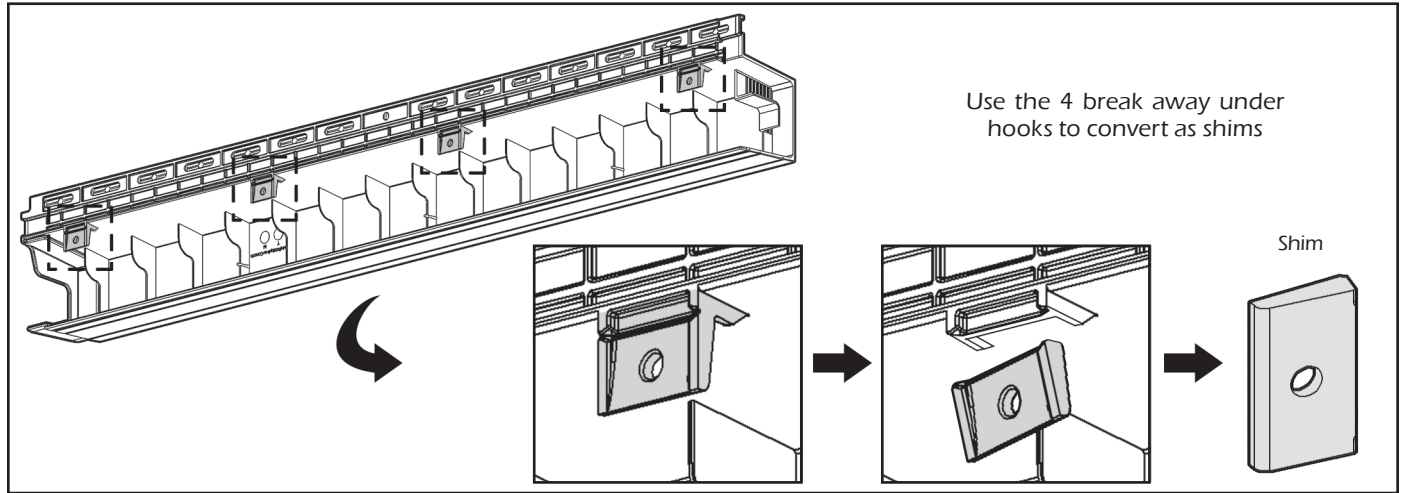
Figure K



## INSTALLATION STEPS (CONTINUATION)

### UPPER WALL INSTALLATION

Figure L - If shims behind Architectural Sill are required



To install siding above the Architectural Sill, follow the instruction below:

Scenario 1: TandoStone - Stacked Stone, TandoStone - Creek LedgeStone or TandoShake - Hand Split Shake over Architectural Sill

Place the universal starter strip against the wall directly on top of the nailing flange of the sill. No shim is needed. (Figure M - #1)

Scenario 2: TandoShake - Rustic Cedar 6, TandoShake - Roughsawn Cedar Single, TandoShake Cedar Dual, TandoShake Cape Cod Perfection or Beach House Shake over Architectural Sill

Use the break away under hooks as shim (Figure L). The top of the starter strips should be 1 9/16" (3.97cm) above the top of the nailing flange, and shim can be put between the wall and the starter strip to provide clearance. (Figure M - #2)

Scenario 3: TandoShake - Roughsawn Cedar Staggered Edge or TandoShake - Rustic Cedar 9 over Architectural Sill

Use the break away under hooks as shim (Figure L). A color matched flashing trim should be installed to cover the nailing flange of the sill prior to install the starter strips. The top of the starter strips should be 2" (5.08cm) above the top of the sill nailing flange, and shim can be put between the wall and the starter strip to provide clearance. (Figure M - #3)

Then, install the siding as specified in its own installation guide.

**Note:**

- Pay attention to not constrain the expansion and contraction movement of the sills.
- If using a siding that is not mentioned in this guide, please refer to the manufacturer's installation manual.

Figure M

