

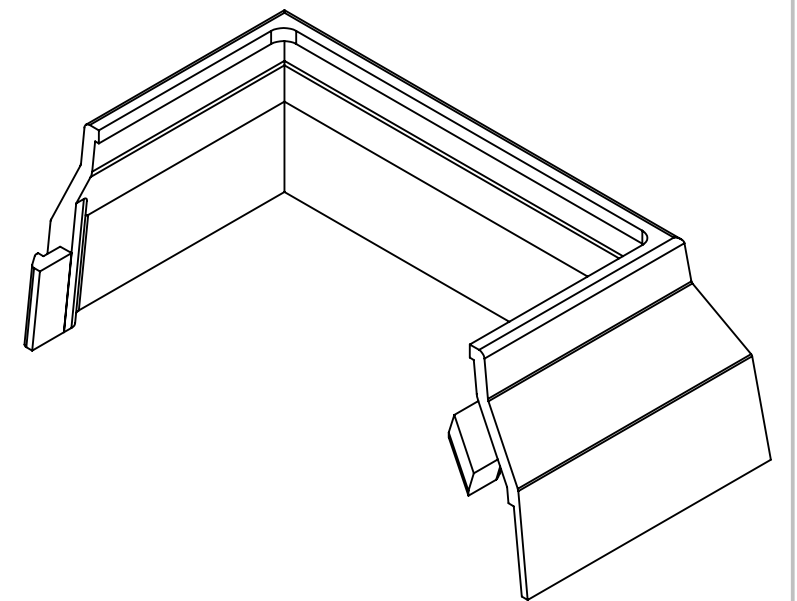
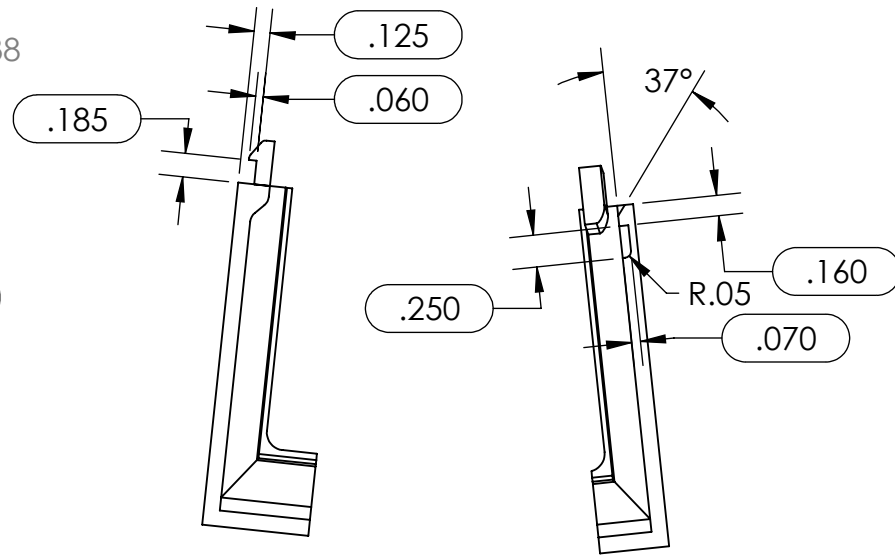
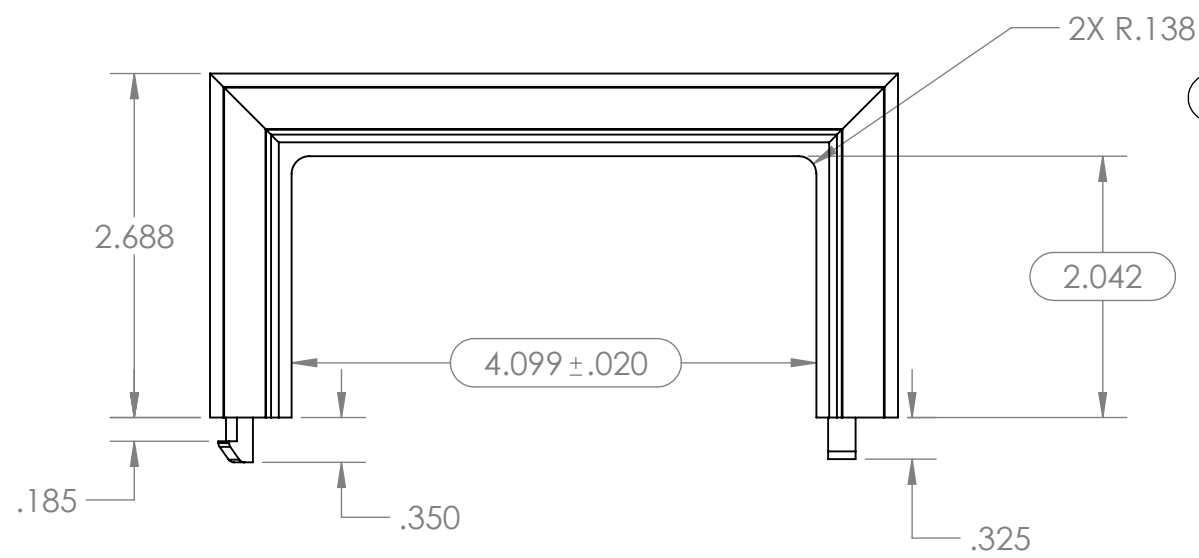
4

3

2

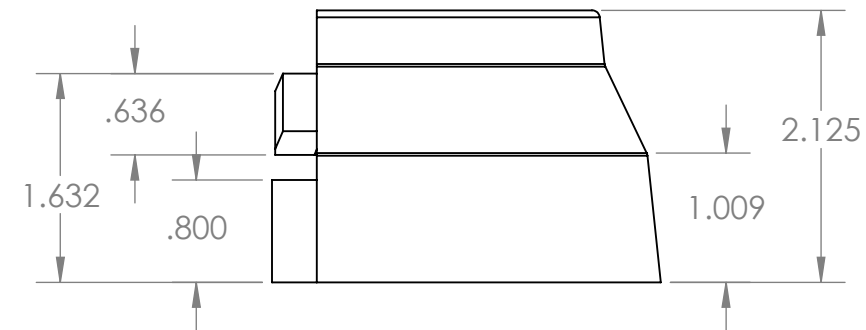
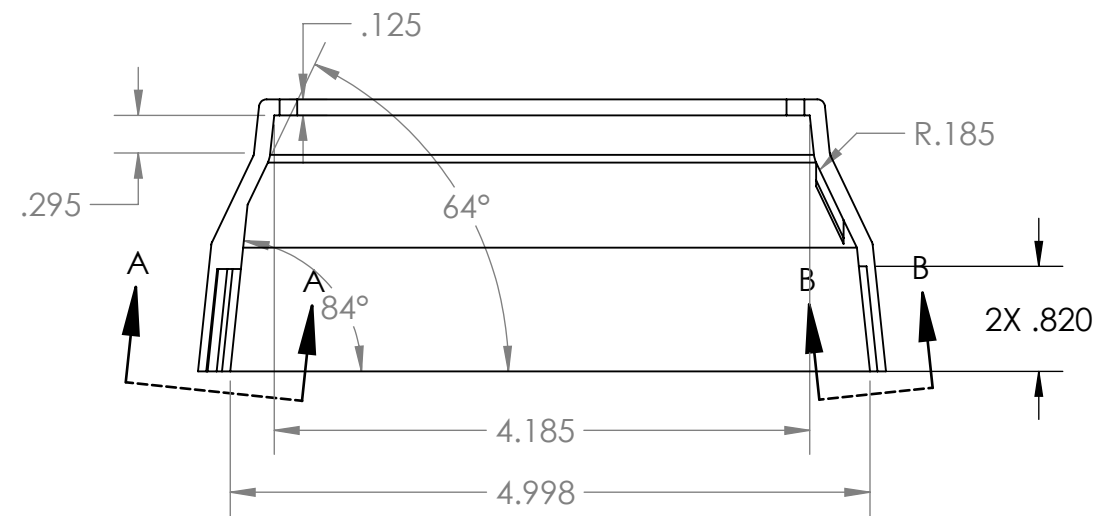
1

REVISIONS - 0 BALLOONS DENOTE CHANGES			
REV.	DESCRIPTION	DATE	APPROVED
A		9/20/2019	ZAG



SECTION A-A

SECTION B-B



- NOTE:
1. ENDS TO BE FREE OF BURRS.
 2. BREAK ALL UNMARKED CORNERS R0.016.
 3. $\ominus \oplus$ CRITICAL DIMENSIONS.
 4. UNDIMENSIONED PROFILES CONTROLLED BY 3D FILES.

UNLESS OTHERWISE SPECIFIED:		NAME	DATE		
DIMENSIONS ARE IN INCHES		DRAWN	ZAG		TITLE: FABRICATION DRAWING, 4" BASE SKIRT
TOLERANCES:		CHECKED			
SURFACE FINISH: 125 RMS		ENG APPR.			
ANGULAR: ±.5 DEG		MFG APPR.			
LINEAR: .X ±.02		INTERPRET GEOMETRIC TOLERANCING PER: ASME Y14.5-2009		SIZE DWG. NO. REV B BC015404 A	
.XX ±.010		PROPRIETARY AND CONFIDENTIAL THE INFORMATION CONTAINED IN THIS DRAWING IS THE SOLE PROPERTY OF UltraLox. ANY REPRODUCTION IN PART OR AS A WHOLE WITHOUT THE WRITTEN PERMISSION OF UltraLox.			
.XXX ±.005		DO NOT SCALE DRAWING			
THIRD ANGLE PROJECTION: $\oplus \square$		SCALE: 1:1.5WEIGHT:		SHEET 1 OF 1	
MATERIAL: ABS - PC					
FINISH:					

4

3

2

1