

TREX® FASCIA COLOR-MATCH COMPOSITE SCREW

Installation Instructions

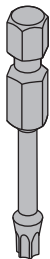


IMPORTANT NOTES:

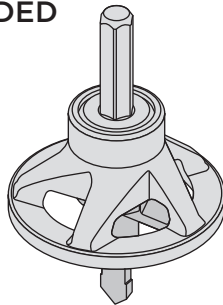
- » Do NOT use for Trex Decking applications.
- » Not recommended for use in salt environments.
- » Always follow fascia board manufacturer's installation guidelines for gapping and general installation recommendations.

The Trex Hideaway® Fascia System works by allowing movement from the moisture cycling of the wood as well as the thermal movement from the wood-plastic composite or PVC fascia. The counterbore tool drills a hole that is slightly larger than the shank of the screw intentionally to allow for this. Do not over tighten screw.

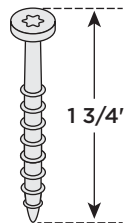
PARTS & TOOLS NEEDED



HEXSTIX® HS-20
Drive Bit



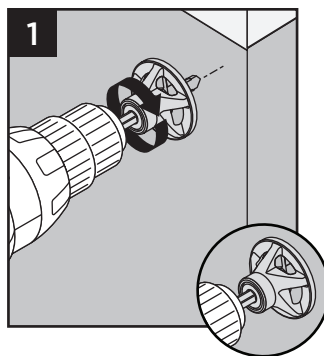
Color-match Fascia
Counterbore tool (red)



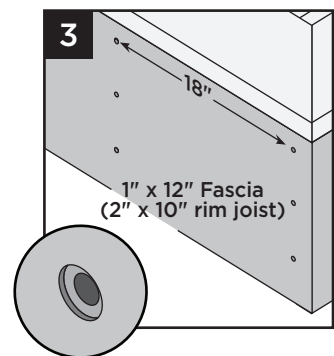
Color-Match
Fascia Screw

Installation Instructions:

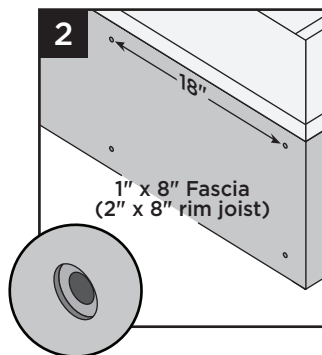
- Using the Color-match Fascia Counterbore tool (sold separately) in an 18V or higher cordless drill, counterbore holes into the fascia board to the proper depth by drilling until the cup stops spinning.



- When using 2" x 10" or larger framing (1x12 fascia applications), bore 3 holes into the fascia every 18" ensuring that holes are starting and ending 1" away from the ends of the fascia as well as 1" from the bottom and top of the rim joist.



- When using 2" x 8" framing (in most cases 1x8 fascia is used for this application), bore two holes into the fascia every 18", ensuring that holes are starting and ending 1" away from ends of the fascia as well as 1" from bottom and top of the rim joist.



- Using the HEXSTIX® Drive Bit, install fasteners at a 90° angle (perpendicular to the fascia). Screws are designed to be installed flush with decking surface. **DO NOT countersink screws. DO NOT overdrive screws.**

