

General Notes:

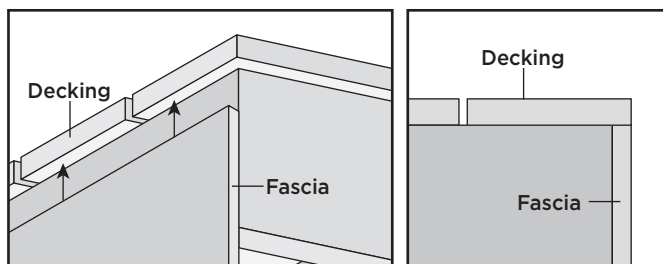
- » *Trex Fascia utilized around the perimeter of a deck must be gapped with the same requirements as Trex decking to allow for expansion/contraction of the fascia.*
- » *When using 2" x 8" framing, attach fascia using 2 fascia approved fasteners; when using 2" x 10" or larger framing, attach fascia using 3 fascia approved fasteners. Top screw should be placed 1" from the top of the rim joist, the second screw in the center of the rim joist, and the third screw 1" from the bottom of the rim joist.*

WHEN USING APPROVED FASCIA FASTENERS:

- » Approved fascia fasteners can only be used with 1x8 or 1x12 fascia product and cannot be used with decking products that are being used as fascia trim or stair risers.

Method 1: Fascia Under Decking

(Note: reflects 2x8 fascia installation & square-edge decking)

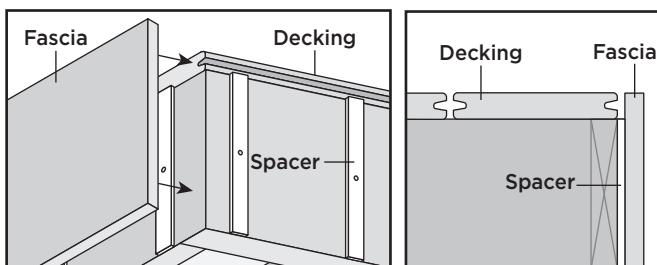


Install fascia **UNDER** decking edges/ends. This will optimize the aesthetics and performance of the installation.

Method 2: Fascia Beside Decking

(Note: spacers below reflect 2x8 fascia installation)

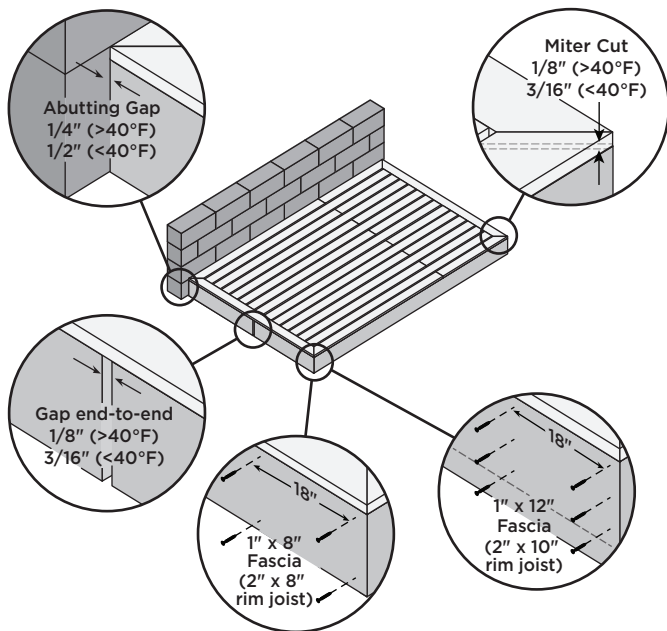
When using this method, attachment of spacers to framing may vary depending on the fascia size. If installing 1x12 fascia use two screws spaced properly apart so as to not interfere when installing fascia screws.



Install 3/16" to 1/4" thick x minimum 1" wide exterior grade spacers (these should be cut the same length as the rim joist), and spaced 9" on center. Install fascia screws as stated below at spacer locations (ensure that spacer screw does not interfere with fascia screw).

TIP: Prior to installing spacers, paint ends black so as these are not as visible (especially when using contrasting colors).

All images shown here reflect fascia under the decking as well as using approved fascia screws.



Trex Recommended Fascia Fasteners:

Cortex® Hidden Fastening System for Fascia

Starborn® Pro Plug® System for Fascia - Epoxy & Stainless

Starborn® Deckfast® Fascia System - Epoxy Coated and Headcote® Stainless

SplitStop™ Fascia Screws

Simpson Strong-Tie® Fascia Board Screw

FastenMaster® TrapEase® Fascia Fastener

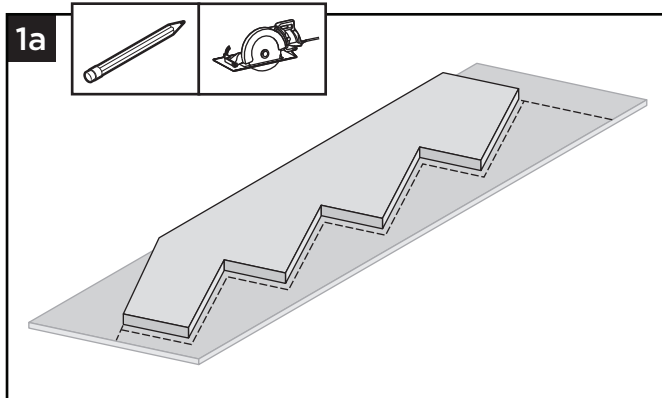
TREX FASCIA

Installation Recommendations

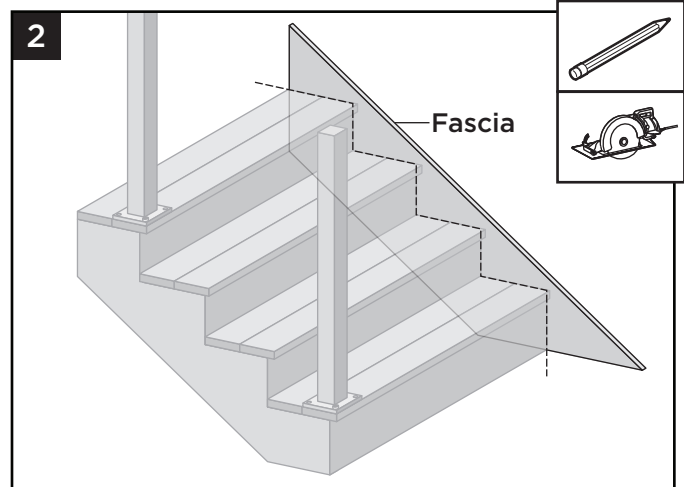
Using Fascia to Box in Stairs

Cutting Fascia

Method 1: Stair Stringer as Template

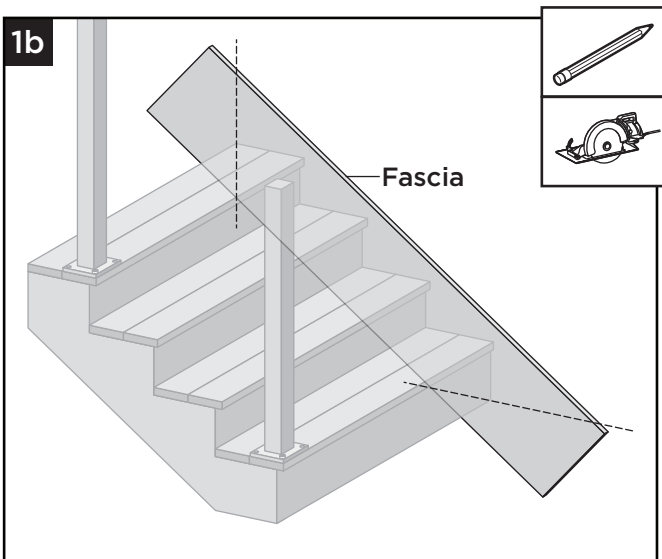


1a. Using a stair stringer as a template, lay this on the fascia and trace out pattern for stair stringer, ensuring you also factor in stair tread/deck board thickness and riser thickness before cutting. This option is shown above. Proceed to step 3.



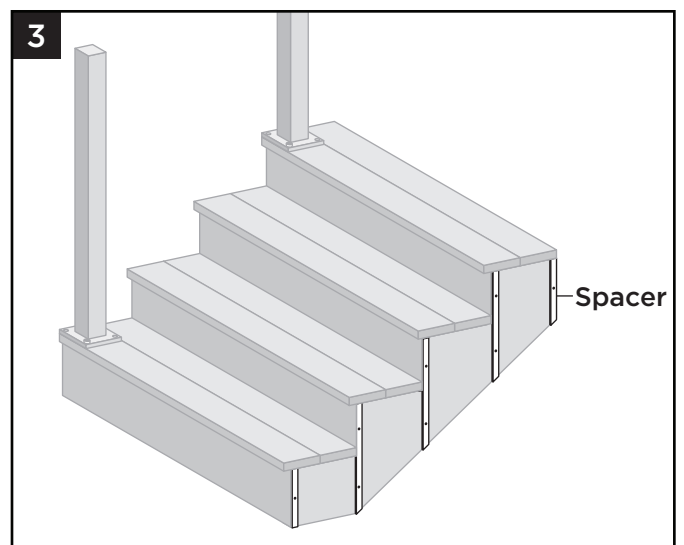
2b. Once completed place fascia in proper location and trace around stair treads and risers and then cut to fit.

Method 2: Fascia Beside Decking



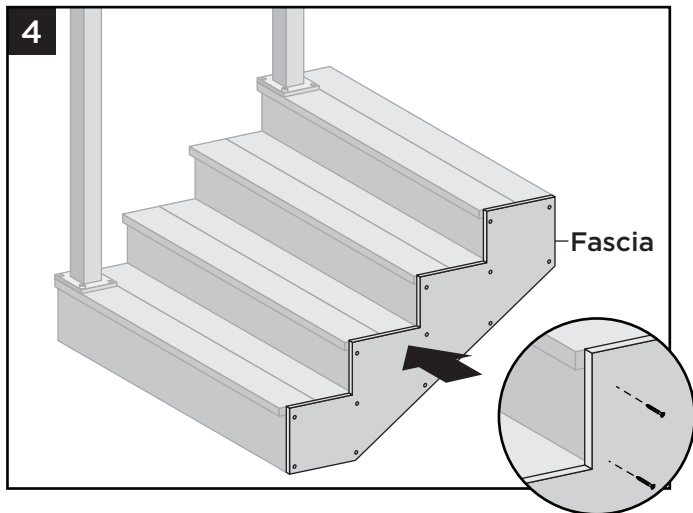
1b. Another option is cutting fascia plumb to the rim joist at the top and flush at the bottom of the stairs as shown.

Installing Fascia To Stringers

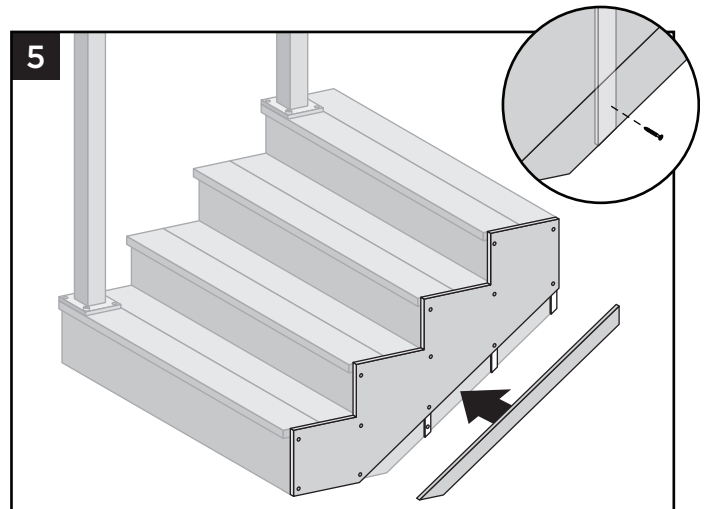


3. Spacers should be installed like that of standard decking, ensuring these are spaced 9" apart (see previous page for detailed information on all requirements for spacers)

Using Fascia to Box in Stairs/CONTINUED



4. Install appropriate number of recommended fasteners as per pattern shown above, as overall size of fascia after being cut may be smaller than that of the standard size, thus the number of screws used every 18" may be different in different areas. Ensure screws are installed 1" from edge of stringer (do not install screws in the end of the stair tread).



5. If the fascia is not wide enough to cover the stair stringer, a secondary piece of fascia may need to be cut accordingly and installed. Install using one recommended fascia fastener on or near the spacer.

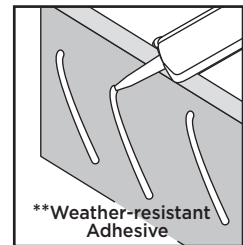
TREX FASCIA

Installation Recommendations

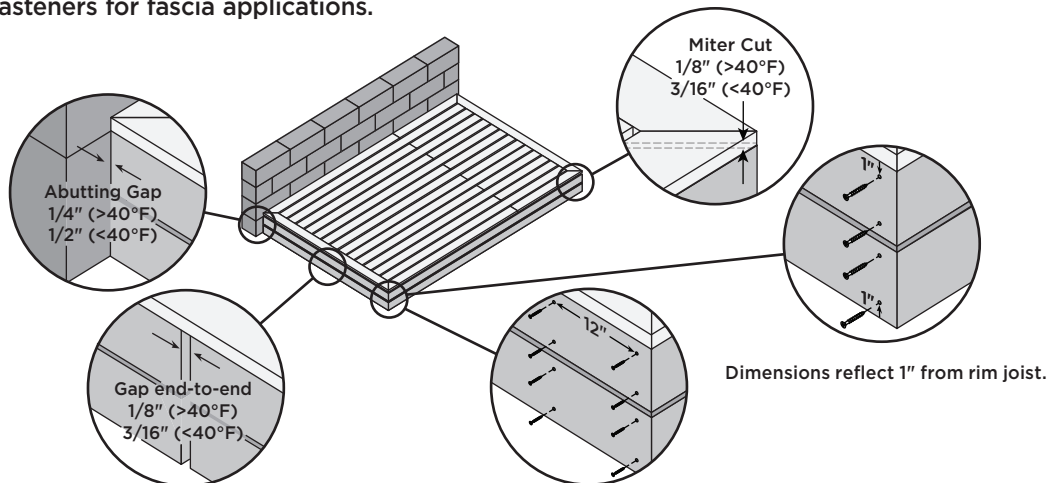
WHEN USING DECK BOARDS AND COMPOSITE DECKING FASTENERS FOR FASCIA.

While Trex prefers the previous methods of attachment for fascia applications, as these are the very best options, there are also other recommendations that can be followed for deck boards being used for fascia. Use two Trex recommended composite decking screws every 12". **NOTE THAT TREX RECOMMENDED FASCIA APPROVED FASTENERS CANNOT BE USED IN THIS APPLICATION. IN ADDITION ALWAYS refer to manufacturer instructions to ensure that recommended screws can be used for fascia applications.** The top screw should be placed 1" from the top of the rim joist, and the second screw 1" from the bottom of the rim joist.

****IN ADDITION**, also use a weather-resistant, construction-grade adhesive (adhesives that work with wood will work with Trex products) as a **SECONDARY** fastener when attaching deck boards used for fascia. **Remember to wipe away any excess before it dries or is allowed to drip onto other Trex surfaces.**



All images shown here reflect deck boards used for fascia applications, and using approved composite fasteners for fascia applications.



NOTE: English measurements are shown. Convert to metric measurements if necessary.

NOTE: Adhesive is also required as stated within instructions.