

TREX HIDEAWAY® FASCIA PLUG

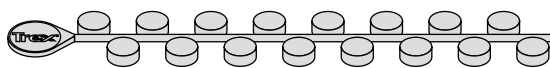
Installation Instructions



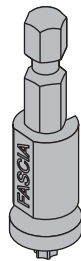
IMPORTANT NOTES:

- » Do NOT use for Trex Decking applications.
(however note this counterbore tool can also be used for Trex Enhance Deck plug applications)
- » Not recommended for use in salt environments.
- » Trex Hideaway® plug systems are only compatible with Trex Plugs.
- » Always follow deck board manufacturer's installation guidelines for gapping and general installation recommendations.

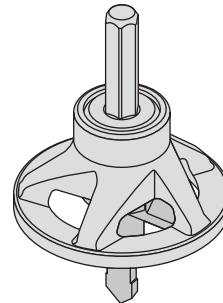
PARTS & TOOLS NEEDED



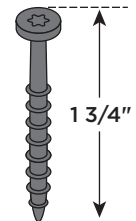
Trex® Fascia Color Match Plugs



HEXSTIX® Depth Setter
(Enhance/Fascia)



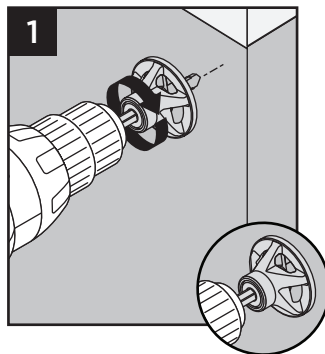
Plug Counterbore
tool (teal)



Trex Hideaway®
Fascia screw

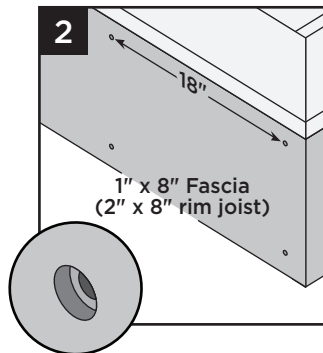
Installation Instructions:

- Using an 18V or higher cordless drill and the Plug Counterbore tool (sold separately), counterbore holes into the fascia board to the proper depth by drilling until the cup stops spinning.

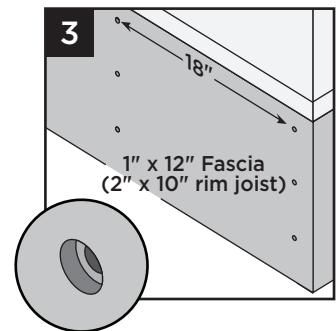


NOTE: This teal counterbore tool and teal Enhance/Fascia HEXSTIX® depth setter can also be used with Trex Enhance Deck Plug installations

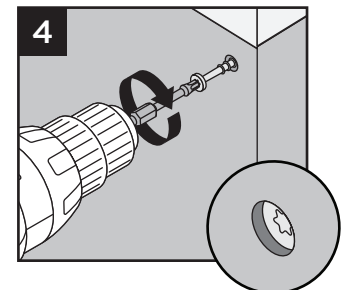
- When using 2" x 8" framing (in most cases 1x8 fascia is used for this application), bore two holes into the fascia every 18", ensuring that holes are starting and ending at least 1" away from ends of the fascia as well as 1" from bottom and top of the rim joist.



- When using 2" x 10" or larger framing (1x12 fascia applications), bore 3 holes into the fascia every 18" ensuring that holes are starting and ending 1" away from the ends of the fascia as well as 1" from the bottom and top of the rim joist.
- Using the Fascia HEXSTIX® depth setter, install fasteners at a 90° angle (perpendicular to the fascia). Drive the screws into the fascia until the bit releases from the screw.



NOTE: Drive the screw in all at once, do not stop. You will hear the sound change when the screw is fully driven. Do not overdrive screw.



- Clean out hole of any remaining debris and using a Trex fascia plug (sold separately), align the grain and press plug into the hole, and tap flush with a smooth faced hammer.

