

# TREX® HIDEAWAY® DECK PLUG FOR TREX ENHANCE® DECKING

## Installation Instructions



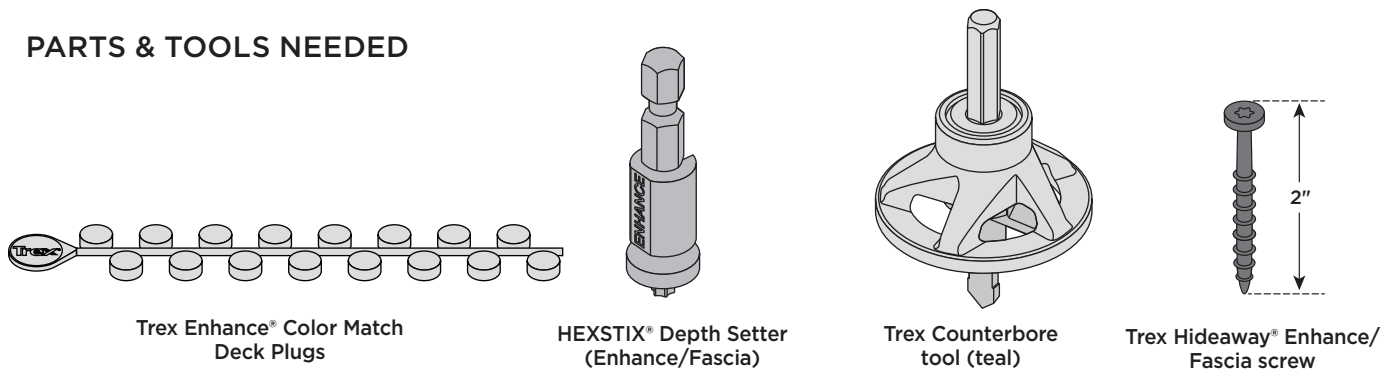
### IMPORTANT NOTES:

- » For use with Trex Enhance Decking.  
*Note: This counterbore tool can also be used for Trex Fascia Plug applications.*
- » Not recommended for use in salt environments.
- » Trex Hideaway® plug systems are only compatible with Trex Plugs.
- » Not for use with sleeper systems that are less than 2" thick.
- » Always follow deck board manufacturer's installation guidelines.

### General Installation Recommendations:

- Always use two screws per joist or stair stringer.
- At board ends on the deck's edge, install screws placed perpendicularly at the recommended distance, at minimum of 1" from the board end and edge, without splitting the board.

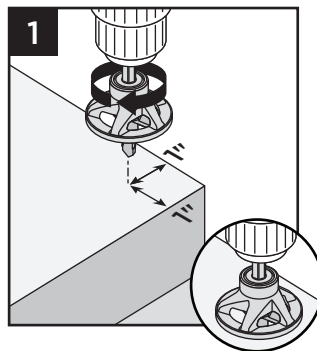
### PARTS & TOOLS NEEDED



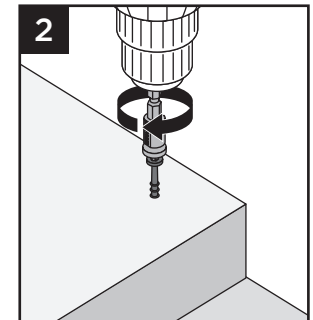
### Installation Instructions:

- Using an 18V or higher cordless drill and the Trex Counterbore tool (sold separately), bore counterbore holes to the proper depth by drilling until the cup stops spinning.

**NOTE:** This teal counterbore tool can also be used with Trex Fascia Plug installations.



- Using the HEXSTIX® depth setter in a 18v or greater drill or impact driver, install fasteners at a 90° angle (perpendicular to the board). Drive the screws into the decking until the bit releases from the screw.



**NOTE:** Drive the screw in all at once, do not stop. You will hear a change in sound when the screw is fully driven.

- Clean out hole of any remaining debris and using a Trex Enhance decking color matched plug (sold separately), align the grain and press plug into the hole, and tap flush with a smooth faced hammer.

