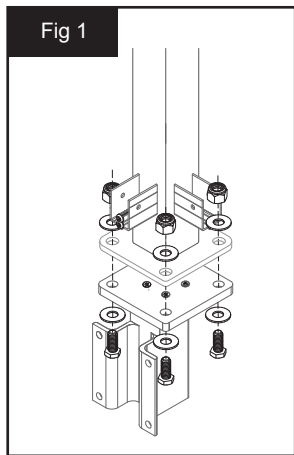
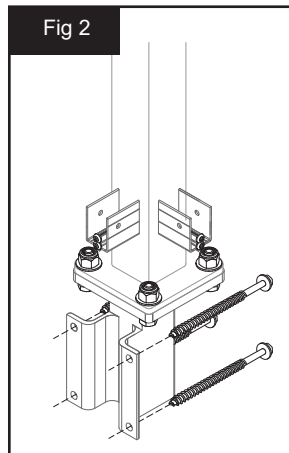


READ ALL INSTRUCTIONS COMPLETELY BEFORE STARTING INSTALLATION: It is the responsibility of the installer to meet all code and safety requirements, and to obtain all required building permits. The railing installer should determine and implement appropriate installation techniques for each installation situation. VISTA Railing Systems Inc, its distributors and dealers shall not be held liable for improper or unsafe installations. VISTA Railing Systems posts must always be secured to the sub structure and should never be attached to only the surface material (ie deck board). Failure to follow all of these instructions could result in serious injury or death.

FASCIA MOUNT POST BRACKET INSTRUCTIONS



Secure the base plate of the post to the top plate of the fascia bracket using the supplied hardware (see Fig 1).

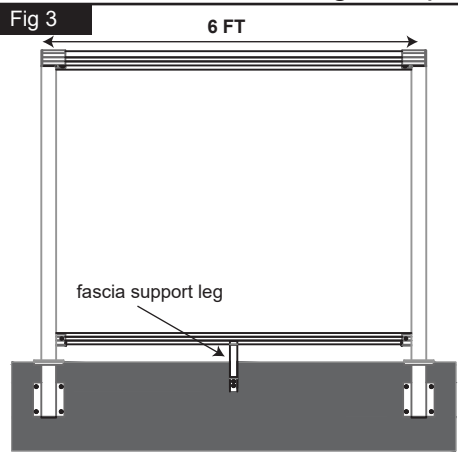


Using the appropriate lag screw bolts for your application (sold separately), attach the post and fascia bracket assembly to the structure as per local building codes (see Fig 2).

Note: The lag screw bolts must always be secured to the appropriate substructure and **MUST** never be attached to only the surface material.

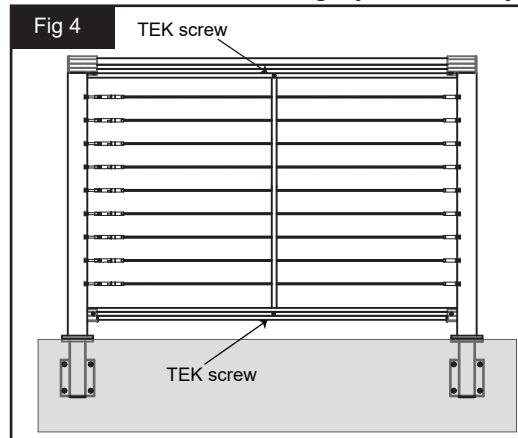
FASCIA MOUNT BOTTOM RAIL SUPPORT BRACKET INSTRUCTIONS

Framed Glass Railing Setup



For our frame glass railings, the maximum space between posts is 6ft (72"). A fascia mount bottom rail support bracket should be used on spans greater than 48" (see Fig 3).

Picket or Cable Railing systems only



An alternative to using a fascia mount bottom rail support bracket on picket or cable railings is to place a TEK screw through the side of the top and the side of the bottom rails where the intermediate picket intersect (see Fig 4).

Tools Required:
Wrench and socket wrench
Cordless drill/impact