




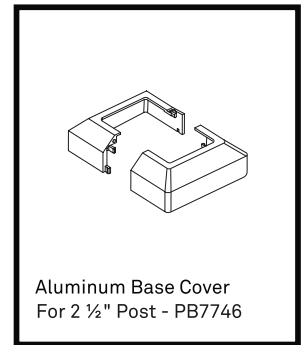
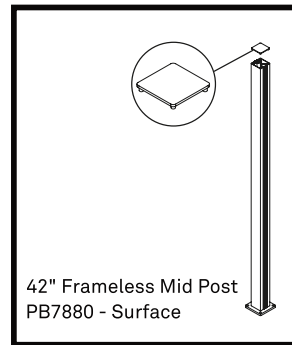
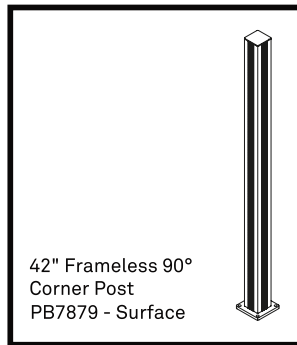
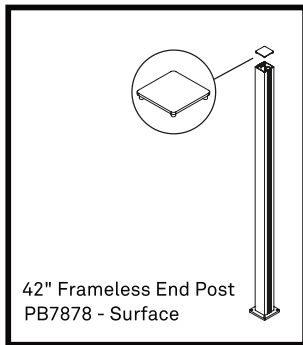


ALUMINUM FRAMELESS GLASS RAILING SYSTEM

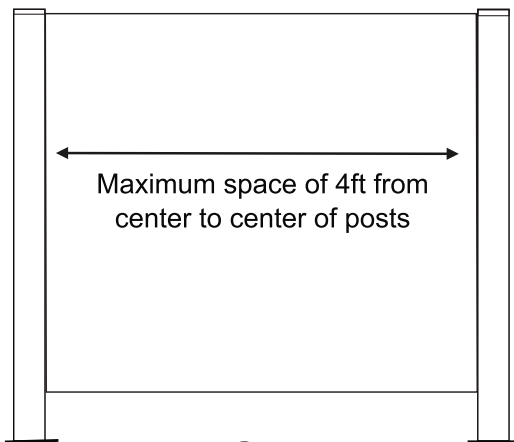


-  **Simplicity**
Integrated channels built into post allows glass to slide down into place.
-  **Ease of Installation**
Set posts, slide glass into post channels and press caps into place.
-  **Uninterrupted View**
No top or bottom rails means an unobstructed view from your deck.
-  **Flexibility & Versatility**
Post design allows for a wider range of horizontal angles.
-  **Safety Assured**
Tested in accordance with national building codes.

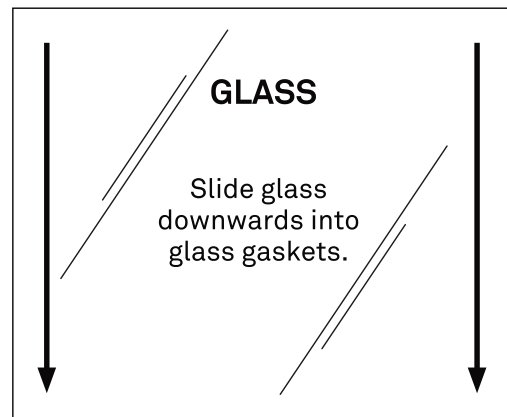
ALUMINUM FRAMELESS GLASS RAILING SYSTEM



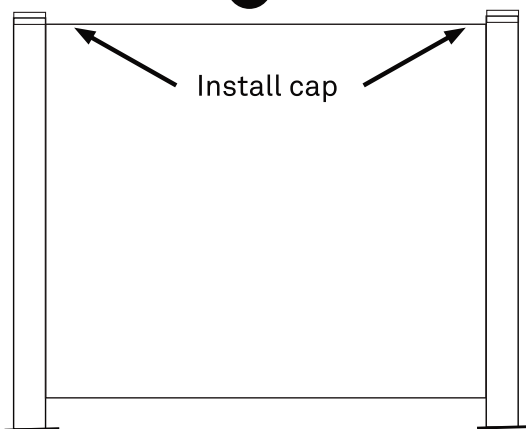
1



2



3



Installation Recommendations:

The posts and glass **must be** ordered separately for the frameless system.
 Ensure all posts are plumb and level.
 Maintain a maximum of 4 ft (from center to center of posts).
 Measure distance between posts and add 1 ¼" to total measurements.
 (Ex.: If inside post to inside post measurement equals 45"...45"+1 ¼"=46 ¼", you will need to order 46 ¼" glass). 3/8" glass is 40" high with horizontal polished edges for 42" system.

Note: Check with your local building inspection department as local building codes and bylaws may apply prior to installation.

Available Color (all other colors are consider special order):



Textured Black (XB)