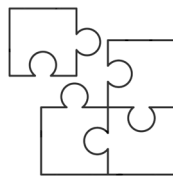




# FREEDOM FILL

for

## Trex Transcend® Railing



## INSTALLATION INSTRUCTIONS

# IMPORTANT – CAUTION

- Wear personal protective equipment (PPE), including eye protection and gloves.
- It is the responsibility of the installer to meet all local building codes and permit requirements.
- WILD HOG and its distributors shall not be held liable for improper or unsafe installations.
- Do not leave partially assembled structures unattended.
- Do not assemble or install your structure during foul weather, including rain, lightning or high winds.

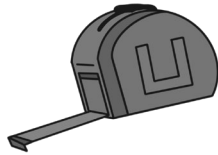
# NOTES

- Apply touch up paint to all cut wire ends on the Wild Hog Panels and all cut aluminum track ends on Hog Tracks.
- Touch up paint for all black Wild Hog Products is Rust-Oleum® Satin Canyon Black #249844, and white is Cardinal® Paint H303-WH16 Antique White.
- Trex®, Trex Transcend® and TrexExpress™ are trademarks and registered trademarks of Trex Company, Inc.
- Wild Hog is neither affiliated with nor agents or representatives of Trex Company, Inc.

# SUGGESTED TOOLS



DRILL



TAPE MEASURE



MITER SAW

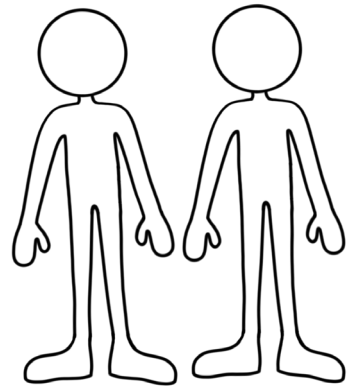


WIRE CUTTER

# RECOMMENDATIONS



PPE



2 ADULTS FOR ASSEMBLY

# REQUIRED RAILING HARDWARE

- Wild Hog Freedom Fill Kit for Trex Transcend® - Black or White in 6ft or 8ft.
- Wood posts, 4x4 or 6x6. Pressure treated lumber is recommended. Installation fastening hardware and tools.
- Post sleeve, Post Skirt and Post Cap for Trex Transcend® railing.
- Individual Trex Transcend® Top Rails and Bottom Rails, with Adjustable Foot Block.
- Rail Cut Kit for Trex Transcend® railing. Kit includes brackets, gaskets and rail mounting hardware.
- Blank Baluster Spacer for Trex Transcend® railing.

## **STEP 1** INSTALL PRESSURE TREATED POSTS

- Please refer to local building code requirements before installing.
- Posts are to be installed 6ft (1.83m) or 8ft (2.4m) on center to accommodate the appropriate railing length.

## **STEP 2** ATTACH POST SKIRT AND SLEEVE

- Slide post sleeve skirt over the post until it seats on the deck surface.
- Slide the post sleeve over the post and nest it inside the post skirt.

## **STEP 3** INSTALL BOTTOM RAILING SUPPORT BRACKETS (RSB)

### **Option A: Without TrexExpress™ railing template**

- For 36in top rail height mark post at 5-1/2in (140mm) and 35-1/16in (891mm) from deck surface.
- For 42in top rail height mark post at 5-1/2in (140mm) and 41-1/16in (1043mm) from deck surface.
- Place bottom RSBs directly under mark with flat side DOWN, center on post, and secure with provided 2in (51mm) wood screws.
- Place top RSBs directly under mark with flat side UP, center on post, and make another mark under bottom of RSBs. DO NOT ATTACH TOP RSB. Set aside until Step 15.

### **Option B: With TrexExpress™ railing template**

- Place bottom RSB in template with flat side facing DOWN. Do not put top RSB in template. Secure template to post with tape or bands.
- Secure bottom RSBs to post with provided 2in (51mm) wood screws.
- Using template cutout for top RSB, mark top and bottom of RSB space. Do not attach top RSB.
- Remove template.

## **STEP 4** CUT TREX TRANSCEND® RAILS AND FREEDOM FILL TRACKS TO SIZE

- Measure opening between posts and cut top and bottom Trex Transcend® rails 1/8in shorter.
- Cut both Freedom Fill tracks 3in shorter than the Trex Transcend® rails.

## **STEP 5** DRILL FOOTBLOCK HOLE IN BOTTOM RAIL

- Invert bottom rail and drill a 3/16in hole at the centered midpoint, for future placement of the footblock attachment.
- Drill 2 evenly spaced holes for commercial applications over 6ft.

## **STEP 6** ATTACH BOTTOM UNIVERSAL RAIL

- Lift the bottom rail so the RSBs seat in the channel and using the 3 self-drilling screws provided, attach the rail. Use only the 3 outer holes on the RSB, not the hole in the RSB that is closest to the post.
- Repeat on both sides so rail is securely attached.

## **STEP 7** ATTACH BOTTOM (WITH HOLES) FREEDOM FILL TRACK

- Center the bottom Freedom Fill track between the RSBs and starting at one end place both hands around rail with fingers under bottom and palms on Freedom Fill track. Snap Freedom Fill track into channels, working your way to the other end of the rail.
- The bottom Freedom Fill track has DRAIN HOLES. The top does not.

## STEP 8 INSERT BLANK BALUSTER SPACERS AND GASKETS

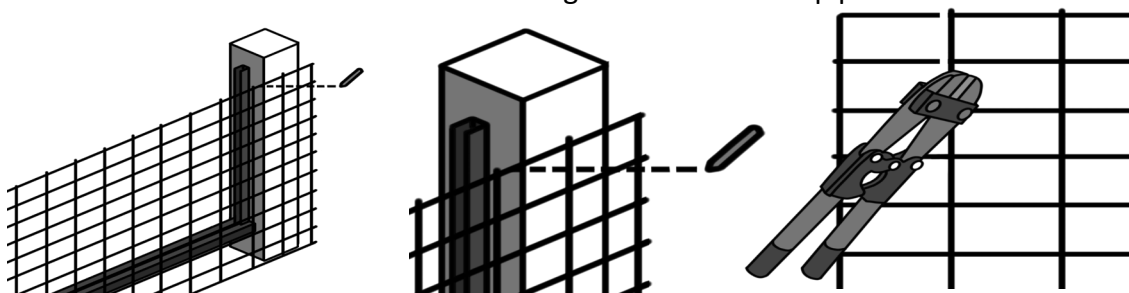
- Cut to size the Trex Transcend® blank baluster spacer to fit between the post sleeve and the end of the Freedom Fill track insert, leaving a 1/16" gap.
- Snap into the channel. Repeat at both sides.
- Insert the Trex® railing end gasket between the rail and post sleeve.

## STEP 9 ATTACH THE WILD HOG SIDE TRACKS TO POSTS

- Measure distance from the top of bottom rail at spacer/gasket to the bottom mark made on the post for the upper RSB. Cut side Hog Tracks. Use touch up paint on cut ends.
- Rest Hog Track at bottom and install to post center with the provided 6pcs of #10-2in wood screws.

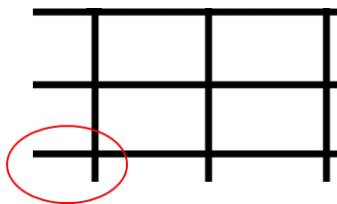
## STEP 10 CUT THE HOG PANEL WIDTH TO SIZE, CENTERED

- Center the panel so it equally overlaps posts on each side
- Mark the panel to cut just inside the posts. Move the panel off all wood decks to avoid metal shavings falling on the deck and rusting in the future.
- Cut the wire with wire cutters or other cutting tool. Use touch up paint on all cut wire ends.



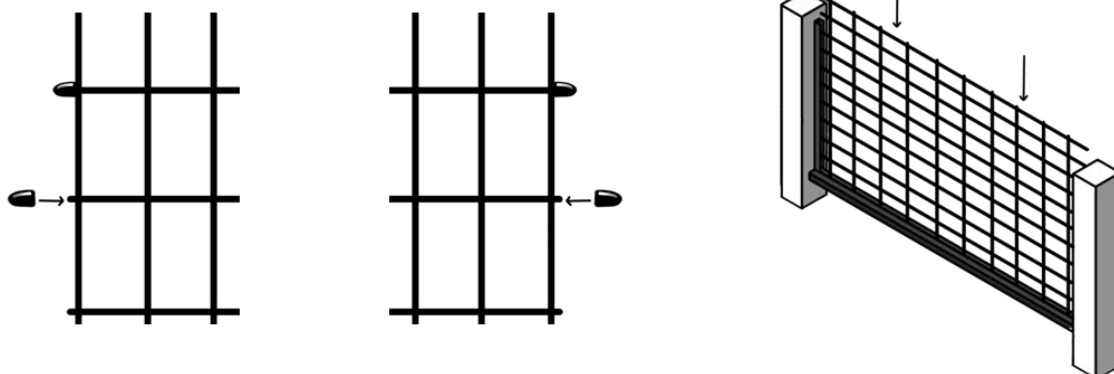
## STEP 11 CUT OUT THE TWO LOWER CORNERS

- An empty space is required in each corner of the panel 1-1/2in in from the post and 1in up from the bottom of the Freedom Fill channel, so it does not conflict with the blank spacers covering the lower RSBs. Remove wire as necessary with your cutting tool. Use touch up paint on all cut wire ends.
- **NOTE:** Often no cutting is required in corners due to natural placement of an empty grid square.



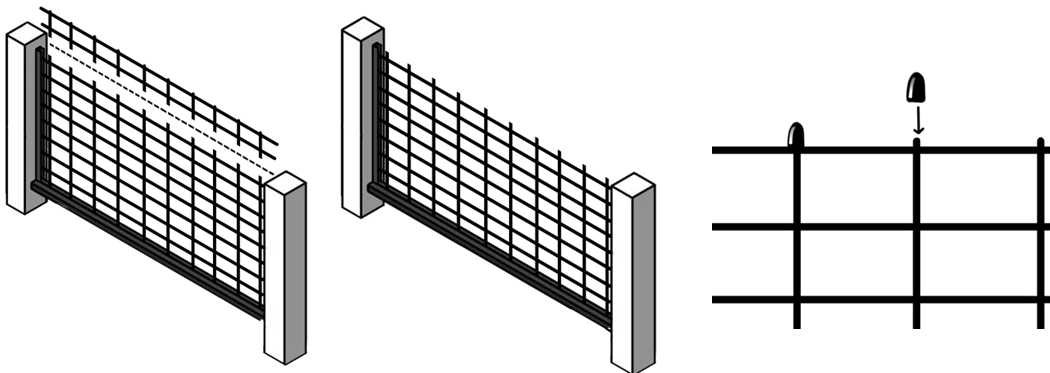
## STEP 12 INSERT THE PANEL

- Attach Hog Tusks to all cut wire ends on sides and bottom.
- Slide panel down inside the side tracks to seat firmly into the Freedom Fill track in the bottom rail.



### STEP 13 CUT TOP OF PANEL TO CORRECT HEIGHT

- Measure and cut the top of the panel so it will seat inside the top rail Freedom Fill track.
- Attach Hog Tusks to all cut wire ends.
- Cut out the panel's top corners 1-1/2in in from side and 1in down from top to allow room for top rail RSBs.



### STEP 14 ATTACH TOP FREEDOM FILL TRACK

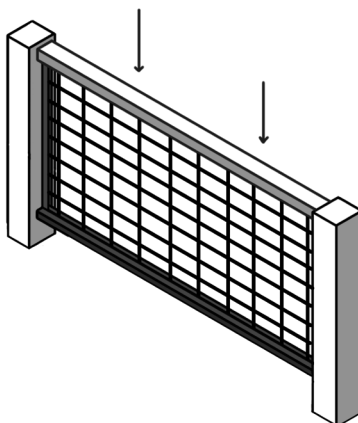
- Laying the top rail on a soft surface, center the Freedom Fill track in the rail and starting at one end place both hands around rail with fingers under bottom and palms on Freedom Fill track. Snap Freedom Fill track into channels, working your way to the other end of the rail.
- The top Freedom Fill track does NOT have drain holes. The bottom track has drain holes.

### STEP 15 INSTALL TOP RAILING SUPPORT BRACKETS (RSBs)

- Place top RSB flat side UP in between the two marks on the post.
- Attach RSBs to post with provided 2in (51mm) screws.
- Repeat on both posts.

### STEP 16 INSTALL TOP RAILING

- Place the top rail over the panel until it seats on both RSBs. Make certain all panel wire ends are positioned inside the Freedom Fill track channel.
- Insert 3 provided 2in (51mm) screws up through RSB into underside of rail. Do not overtighten. A drill bit extender may be required.



### STEP 17 INSTALL FOOT BLOCK AND POST CAPS

- Install foot block and adjust height as needed. Install post caps.

### STEP 18 ENJOY YOUR VIEW